

Service
Service
Service



Service Manual



TABLE OF CONTENTS

Location of PCBS	1-1
Specifications	1-2
Measurement Setup	1-3
Service Aids, Safety Instruction, etc.	1-4
Instructions On CD Playability	1-5 to 1-6
Software Version Check & Upgrade	2-1
Malfuction Check Chart	2-2
Disassembly Diagram	3-1
Block Diagram	4-1
Wiring Diagram.....	4-2
VFD Board	5
Tuner Board	6
Lamp And Headphone Board	7
Volume And USB And USB Lamp Board	8
Power Board	9
Decode Board	10
Explode View	11
Service Partlist	12
Factory Partlist	13

**CLASS 1
LASER PRODUCT**

© Copyright 2006 Philips Consumer Electronics B.V. Eindhoven, The Netherlands
All rights reserved. No part of this publication may be reproduced, stored in a retrieval system or transmitted, in any form or by any means, electronic, mechanical, photocopying, or otherwise without the prior permission of Philips.

Published by DB 0801 Service Audio Printed in The Netherlands Subject to modification

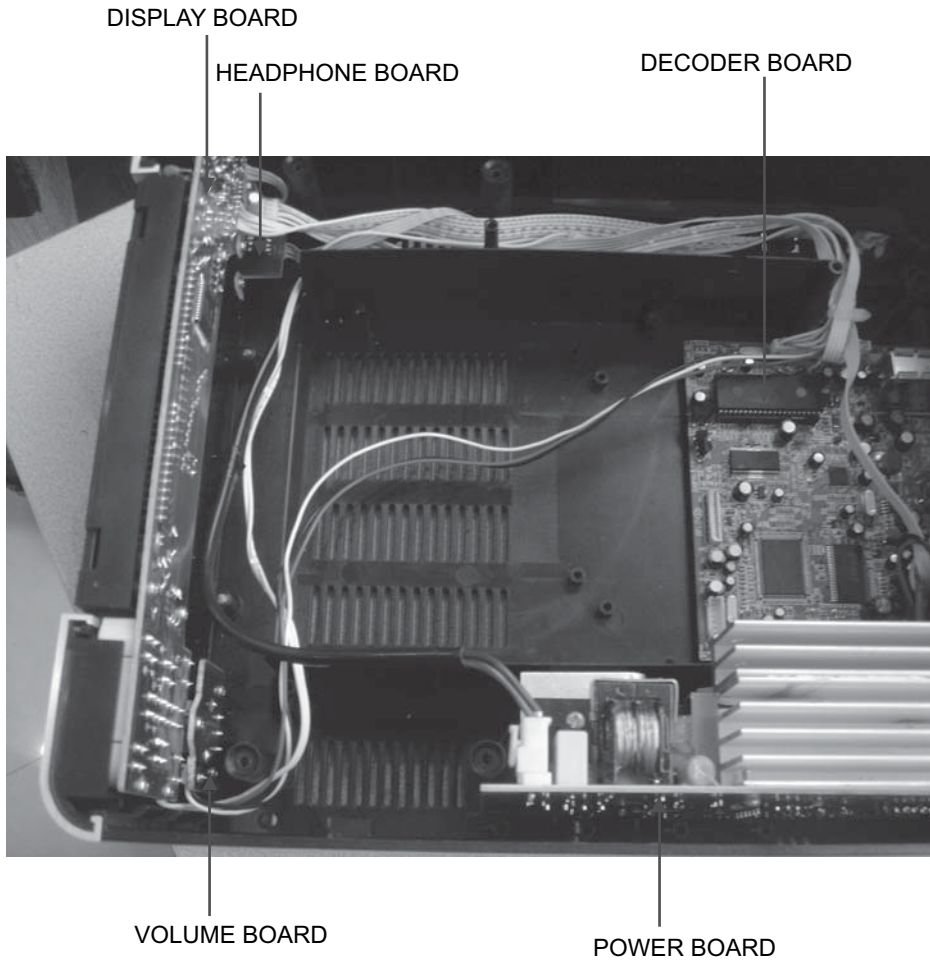
© 3141 785 32341

Version 1.1



PHILIPS

LOCATION OF PC BOARDS



VERSION VARIATIONS:

Type /Versions: Features & Board in used:		MCM710									
		/12									
VFD BOARD	C										
TUNER BOARD	M										
LAMP BOARD	M										
HEADPHONE BOARD	M										
VOLUME BOARD	M										
USB BOARD	M										
USB LAMP BOARD	M										
POWER BOARD	M										
DECODE BOARD	M										

* TIPS : C -- Component Lever Repair.
M -- Module Lever Repair
X -- Not used

SPEIFICATION

AMPLIFIER

Rated Output Power 2 x 45 W RMS
 Signal-to-noise ratio ≥ 65 dBA
 Frequency response 20 Hz – 20 KHz, ± 3 dB
 Aux Input 1V RMS 20kohm

DISC

Laser Type Semiconductor
 Disc Diameter 12cm/8cm
 Support Disc
 CD-DA,CD-R,CD-RW,MP3-CD,WMA-CD
 Audio DAC 24Bits / 44.1kHz
 Total Harmonic Distortion $<0.1\%$ (1kHz)
 Frequency Response 4Hz - 20kHz (44.1kHz)
 S/N Ration >65 dBA

TUNER

FM Tuning Range 87.5 – 108 MHz
 Tuning grid 50KHz
Sensitivity
 – Mono, 26dB S/N Ratio 5uV
 – Stereo, 46dB S/N Ratio 100uV
 Selectivity >28 dB
 Image Rejection >25 dB
 Total Harmonic Distortion $<3\%$
 Signal to Noise Ration >55 dBA

SPEAKERS

Speaker Impedance 4ohm
 Speaker Driver, base 5"
 Speaker Driver, tweeter 0.2"
 Frequency Response 60 - 20 KHz

GENERAL INFORMATION

Total Output power 2 x 50 W RMS
 AC Power 220-230 V / 50Hz/60Hz
 Operation Power Consumption 52W
 Standby Power Consumption <7 W
 Eco Standby Power Consumption 1W
 Headphone Output 2X15mW 32ohm
 USB Direct Version 1.1

Dimensions

– Main unit (w x h x d) 248x110x307mm
 – Speaker box (w x h x d) 170x270x220mm

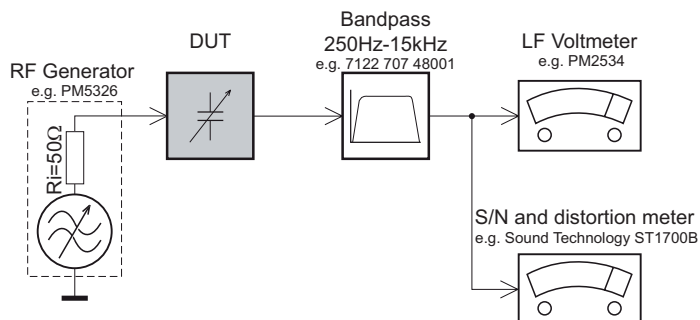
Weight

– With Packing 10 KG
 – Main Unit 2.3 KG
 – Speaker box 2.6 KG

Specifications and external appearance are subject to change without notice.

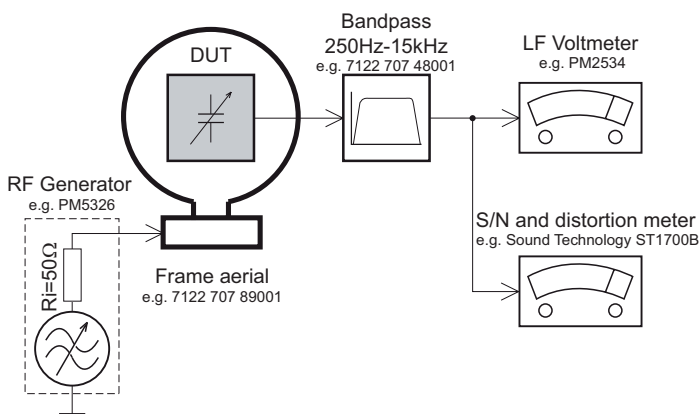
MEASUREMENT SETUP

Tuner FM



Use a bandpass filter to eliminate hum (50Hz, 100Hz) and disturbance from the pilotone (19kHz, 38kHz).

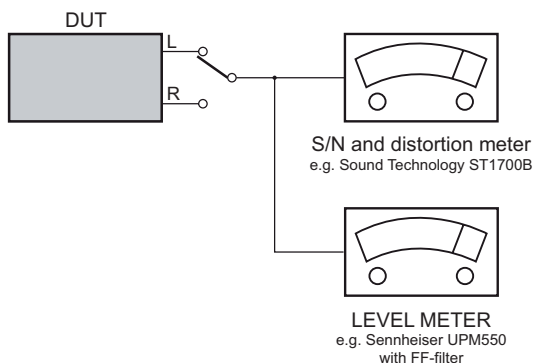
Tuner AM (MW,LW)



To avoid atmospheric interference all AM-measurements have to be carried out in a Faraday's cage. Use a bandpass filter (or at least a high pass filter with 250Hz) to eliminate hum (50Hz, 100Hz).

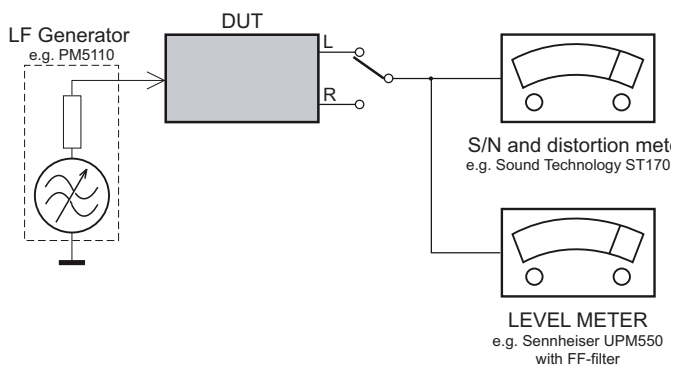
CD

Use Audio Signal Disc SBC429 4822 397 30184
(replaces test disc 3)



Recorder

Use Universal Test Cassette **Cr02** SBC419 4822 397 30069
or Universal Test Cassette **Fe** SBC420 4822 397 30071



SERVICE AIDS

GB WARNING

All ICs and many other semi-conductors are susceptible to electrostatic discharges (ESD). Careless handling during repair can reduce life drastically.

When repairing, make sure that you are connected with the same potential as the mass of the set via a wrist wrap with resistance. Keep components and tools also at this potential.

ESD



GB

Safety regulations require that the set be restored to its original condition and that parts which are identical with those specified, be used

Safety components are marked by the symbol Δ .

**CLASS 1
LASER PRODUCT**

INFORMATION ABOUT LEAD-FREE SOLDERING

Philips CE is producing lead-free sets from 1.1.2005 onwards.

IDENTIFICATION:

Regardless of special logo (not always indicated) one must treat all sets from 1 Jan 2005 onwards, according next rules:



- On our website www.atyourservice.ce.Philips.com you find more information to:
 - * BGA-de-/soldering (+ baking instructions)
 - * Heating-profiles of BGAs and other ICs used in Philips-sets
 - * Lead free

You will find this and more technical information within the "magazine", chapter "workshop news".

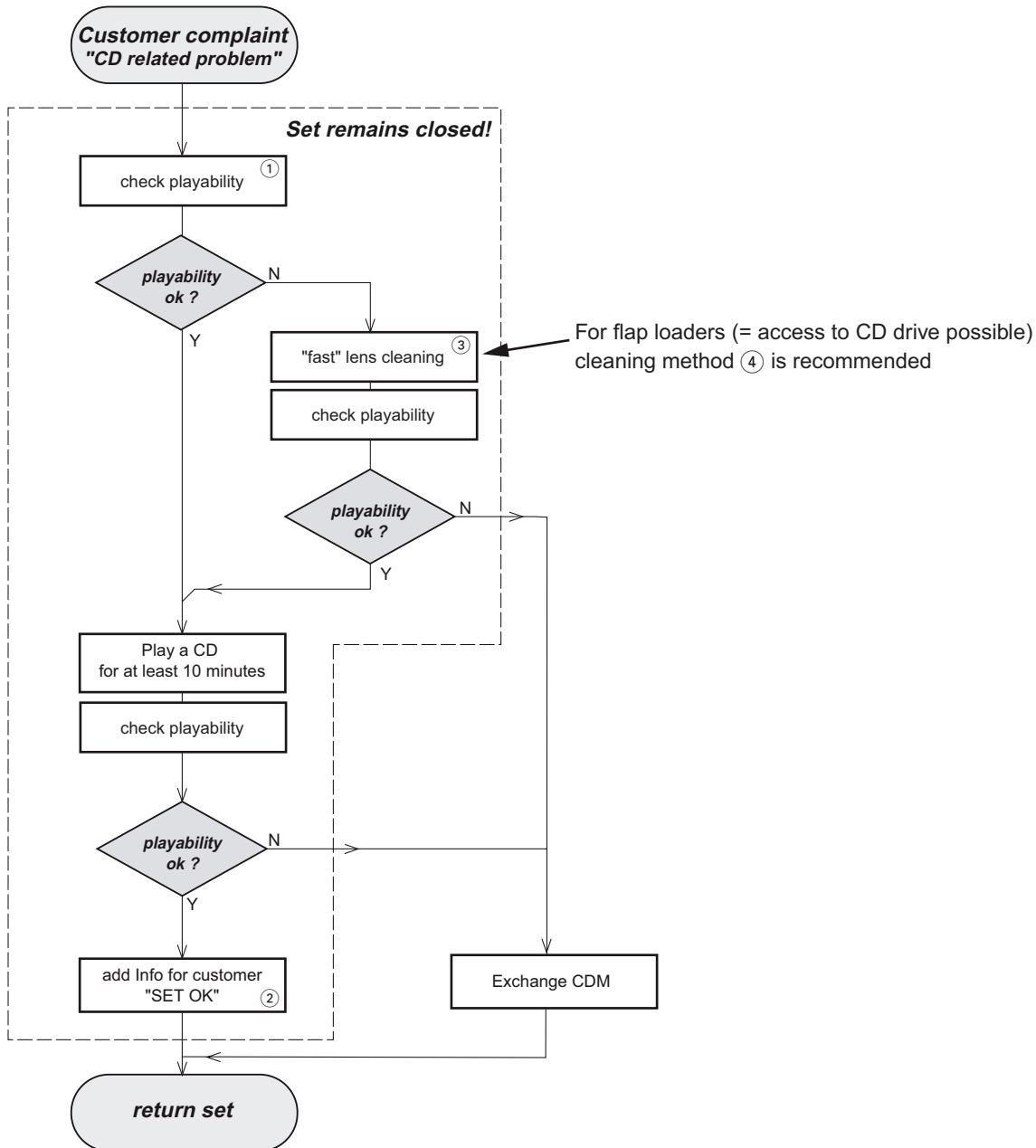
For additional questions please contact your local repair-helpdesk.

SERVICE INSTRUCTION

Safety regulations require that after a repair, the set must be returned in its original condition. Pay in particular attention to the following points:

- Route the wire trees correctly and fix them with the mounted cable clamps.
- Check the insulation of the AC Power lead for external damage.
- Check the strain relief of the AC Power cord for proper function.
- Check the electrical DC resistance between the AC Power Plug and the secondary side (only for sets which have a AC Power isolated power supply):
 1. Unplug the AC Power cord and connect a wire between the two pins of the AC Power plug.
 2. Set the AC Power switch to the "on" position (keep the AC Power cord unplugged!).
 3. Measure the resistance value between the pins of the AC Power plug and the metal shielding of the tuner or the aerial connection on the set. The reading should be larger than 4.5 Mohm (For U.S. it should be between 4.2 Mohm and 12 Mohm).
 4. Switch "off" the set, and remove the wire between the two pins of the AC Power plug.
- Check the cabinet for defects, to avoid touching of any inner parts by the customer.

INSTRUCTIONS ON CD PLAYABILITY



① - ④ For description - see following pages

INSTRUCTIONS ON CD PLAYABILITY

①

PLAYABILITY CHECK

For sets which are compatible with **CD-RW** discs
 use CD-RW Printed Audio Disc7104 099 96611
 TR 3 (Fingerprint)
 TR 8 (600 μ Black dot) **maximum at 01:00**

- playback of these two tracks without audible disturbance
 playing time for: Fingerprint ≥ 10 seconds
 Black dot from 00:50 to 01:10
- jump forward/backward (search) within a reasonable time

For all other sets
 use CD-DA SBC 444A4822 397 30245
 TR 14 (600 μ Black dot) **maximum at 01:15**
 TR 19 (Fingerprint)
 TR 10 (1000 μ wedge)

- playback of all these tracks without audible disturbance
 playing time for: 1000 μ wedge ≥ 10 seconds
 Fingerprint ≥ 10 seconds
 Black dot from 01:05 to 01:25
- jump forward/backward (search) within a reasonable time

②

CUSTOMER INFORMATION

It is proposed to add an addendum sheet to the set which informs the customer that the set has been checked carefully - but no fault was found.

The problem was obviously caused by a scratched, dirty or copy-protected CD. In case problems remain, the customer is requested to contact the workshop directly.

The lens cleaning (method ③) should be mentioned in the addendum sheet.

The final wording in national language as well as the printing is under responsibility of the Regional Service Organizations.

④

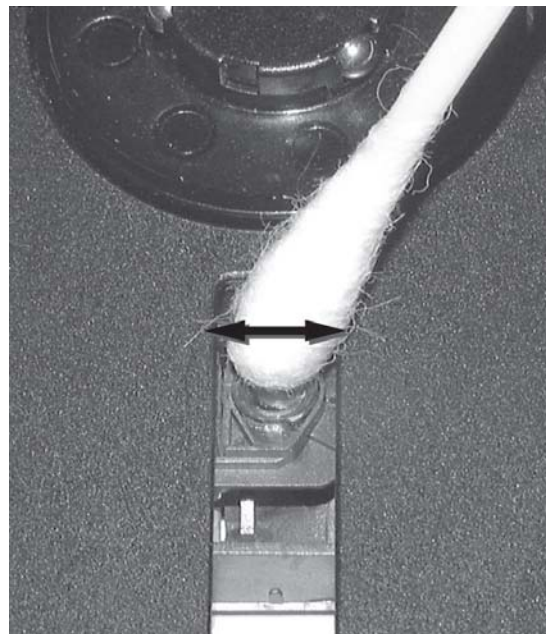
LIQUID LENS CLEANING

Before touching the lens it is advised to clean the surface of the lens by blowing clean air over it. This to avoid that little particles make scratches on the lens.

Because the material of the lens is synthetic and coated with a special anti-reflectivity layer, cleaning must be done with a non-aggressive cleaning fluid. It is advised to use "Cleaning Solvent

The actuator is a very precise mechanical component and may not be damaged in order to guarantee its full function. Clean the lens gently (don't press too hard) with a soft and clean cotton bud moistened with the special lens cleaner.

The direction of cleaning must be in the way as indicated in the picture below.

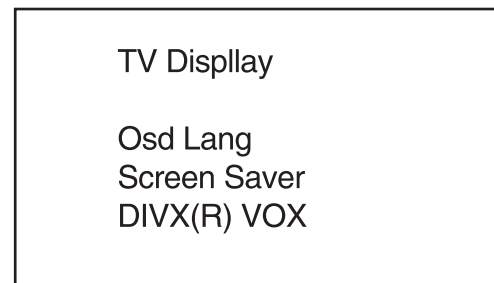


SOFTWARE VERSION CHECK & UPGRADE

A.MPEG SOFTWARE VERSION CHECK

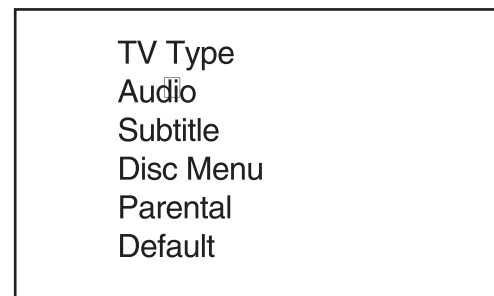
1.Press SYSTEM key to open setup page,

TV Screen shows:



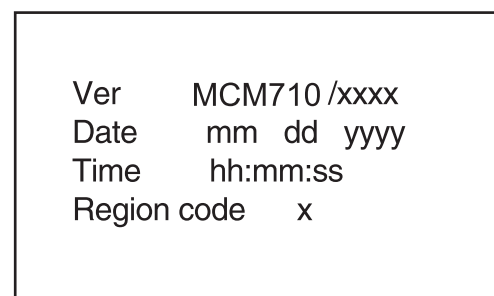
2.Press REMOVAL key to the original setup page,

TV Screen shows:



3.Enter the password "811502"

TV Screen shows:

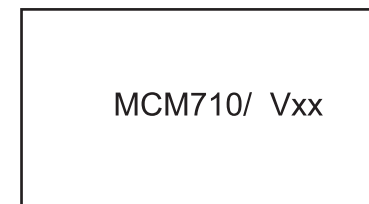


4.Press ▲ or ▼ button (on the remote control) to change region.
Press OK to confirm.

B.CPU VERSION CHECK

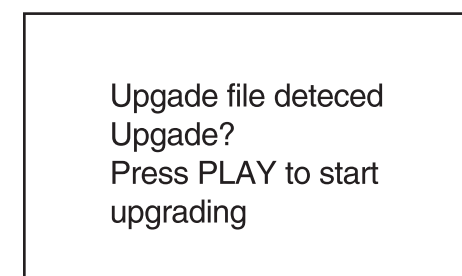
Keep PLAY/PAUSE and STOP buttons (on the set) depressed while pressing POWER on.

TV screen shows

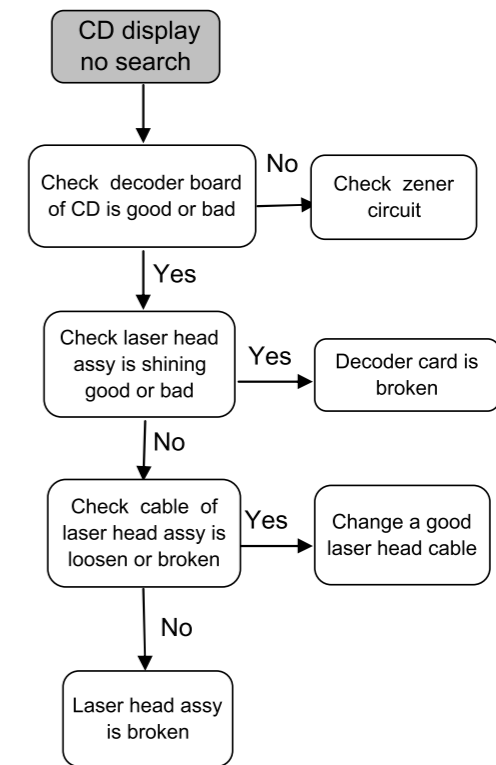
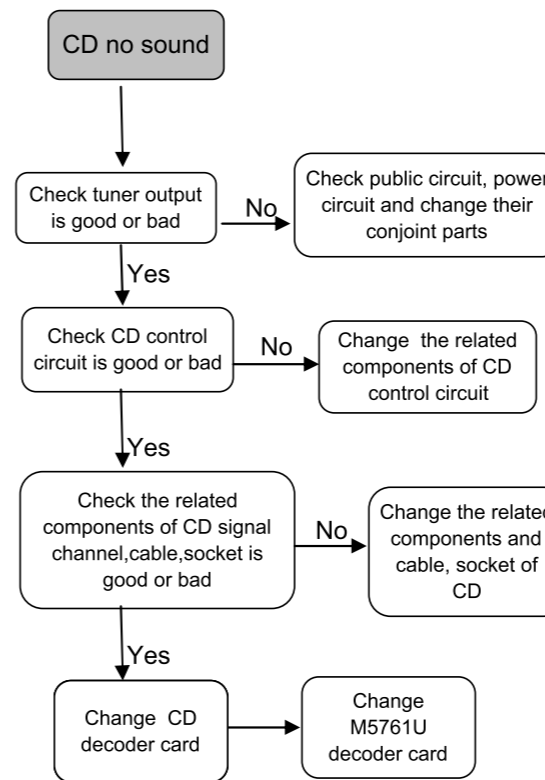
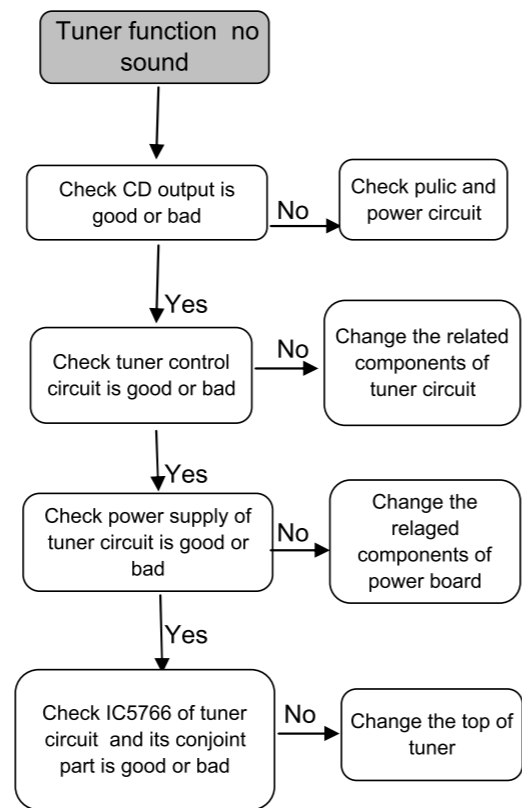
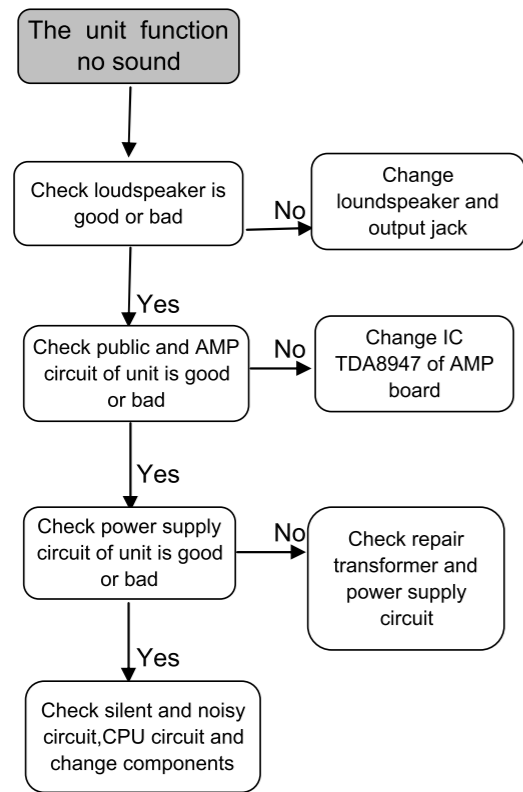


C. MPEG SOFTWARE UPGRADING

1. download the firmware from Philips support website
<http://www.philips.com/support>
2. Prepare a uploading CD
3. Put the CD in the CD tray
4. TV Screen shows

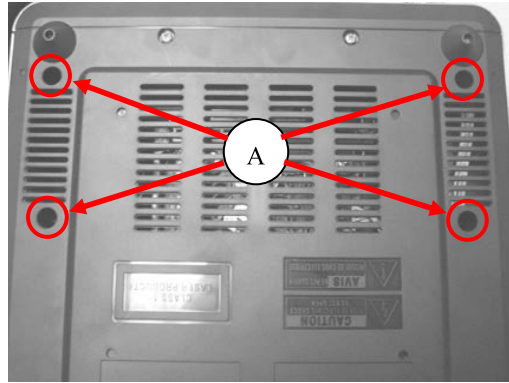


MALFUCTION CHECK CHART

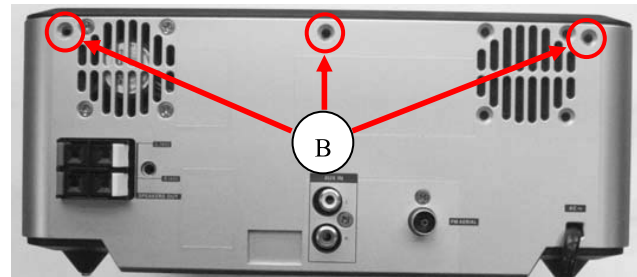


DISASSEMBLY DIAGRAM

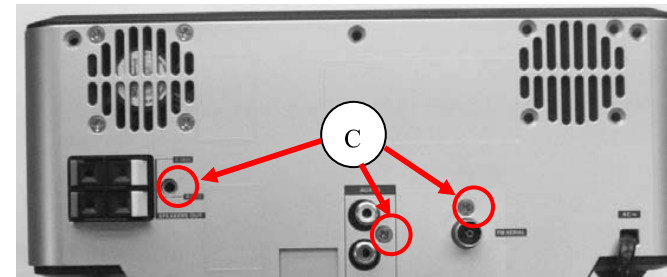
A.Loosen screws $3 \times 12PA(4PCS)$
to remove top cover



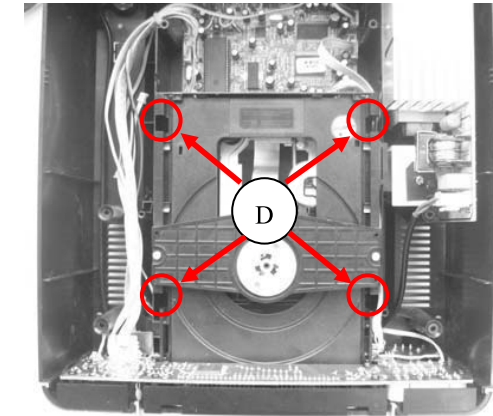
B.Loosen screws $3 \times 10PA(3PCS)$
to remove top cover



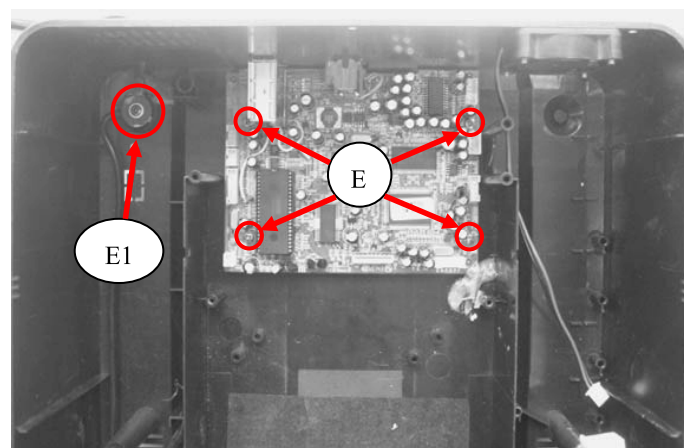
C.Loosen screws $3 \times 10PA(2PCS)$ to
remove terminal of back plate
Loosen screws $3 \times 6FMTT(1PCS)$
to remove tuner board



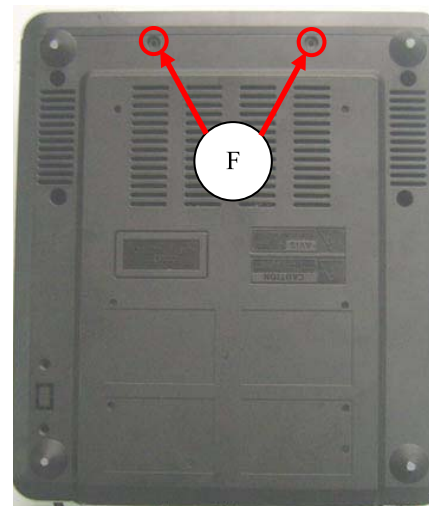
D.Loosen screws $3 \times 15BA(4PCS)$
to remove mechanism core



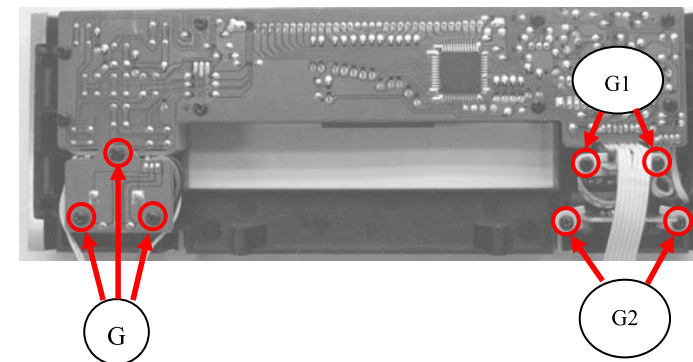
E.Loosen screws $3 \times 6PT(4PCS)$ to
remove decoder board
E1.Loosen screws $3 \times 10PWA(1PCS)$
which fixed the power wire



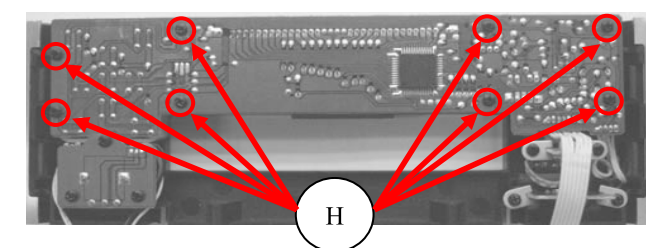
F.Loosen screws $3 \times 12BA(2PCS)$ which
fixed bottom cover



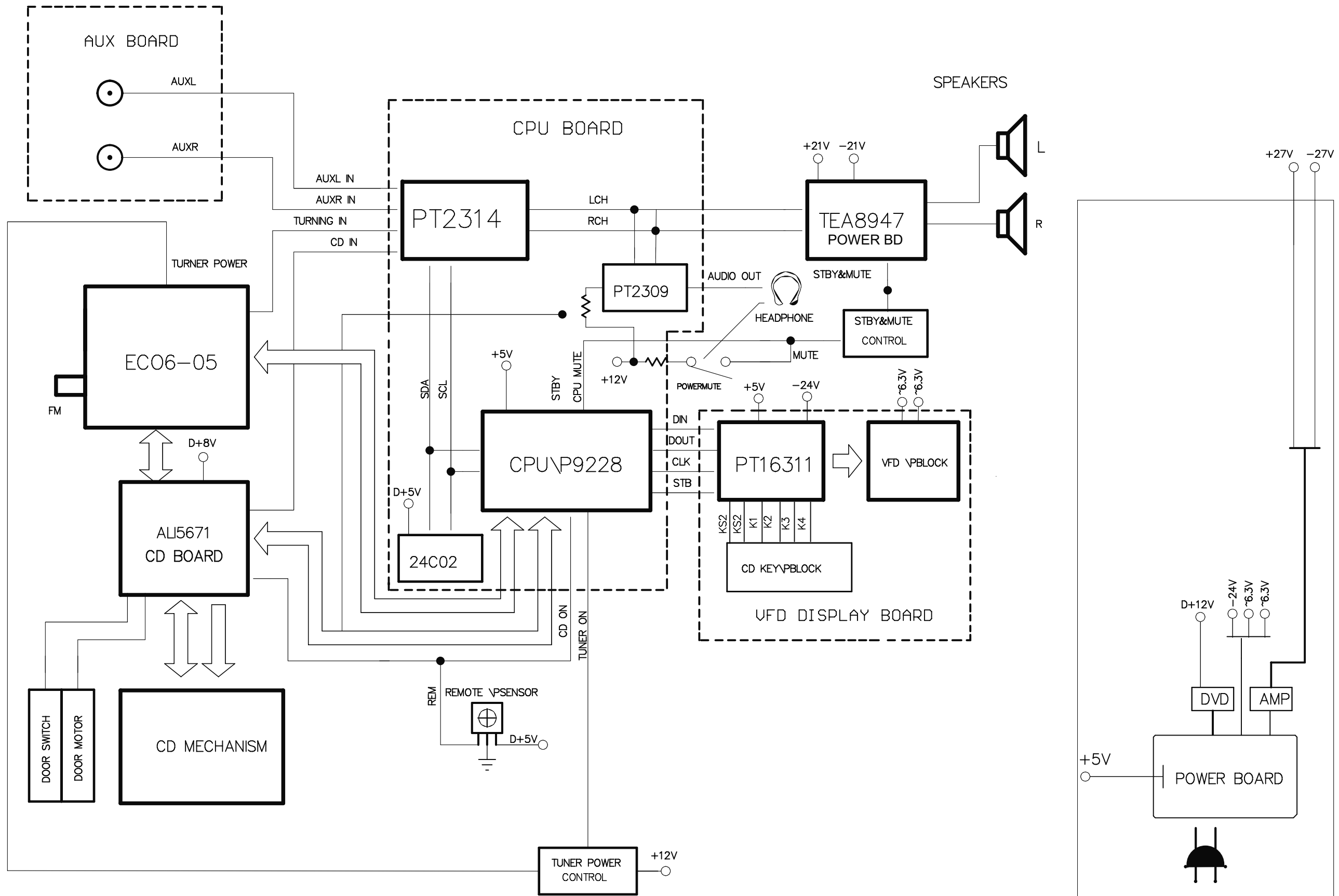
G.Loosen screws $2.6 \times 8BA(3PCS)$ to
remove volume board
G1.Loosen screws $2.6 \times 8BA(2PCS)$ to
remove USB board
G2.Loosen screws $2.6 \times 8BA(2PCS)$ to
remove headphone board



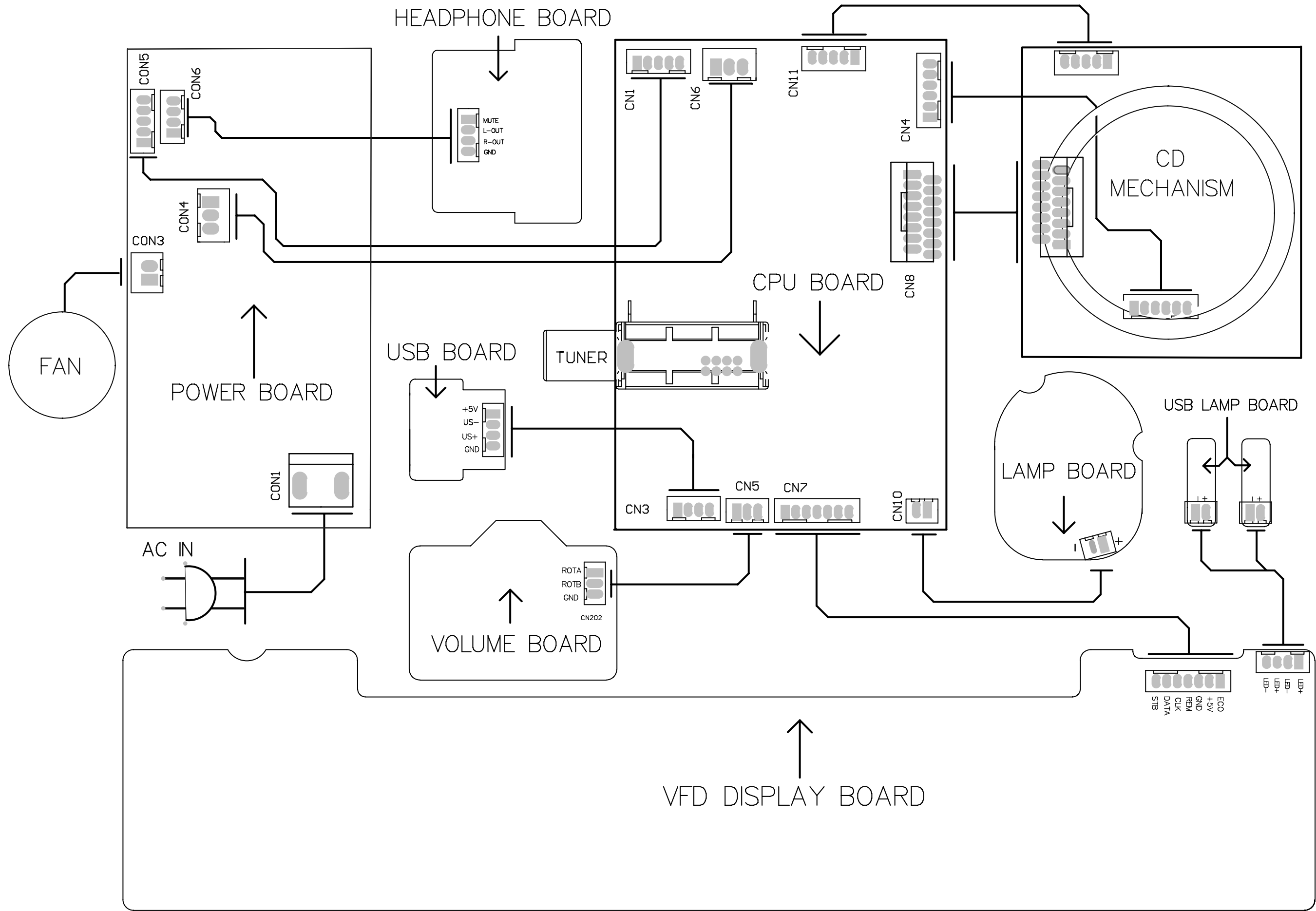
H.Loosen screws $2.6 \times 8BA(8PCS)$ to
remove display board



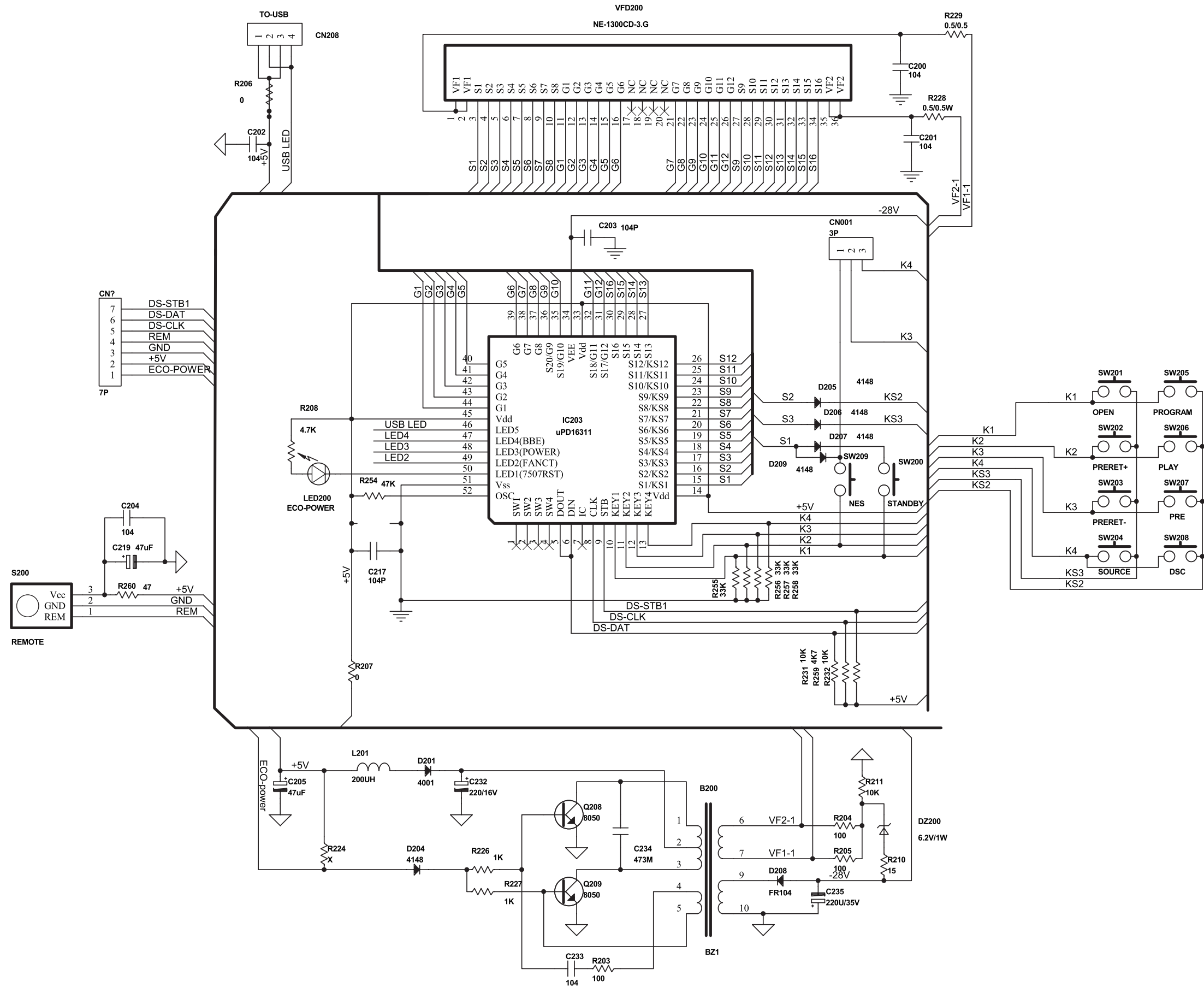
BLOCK DIAGRAM



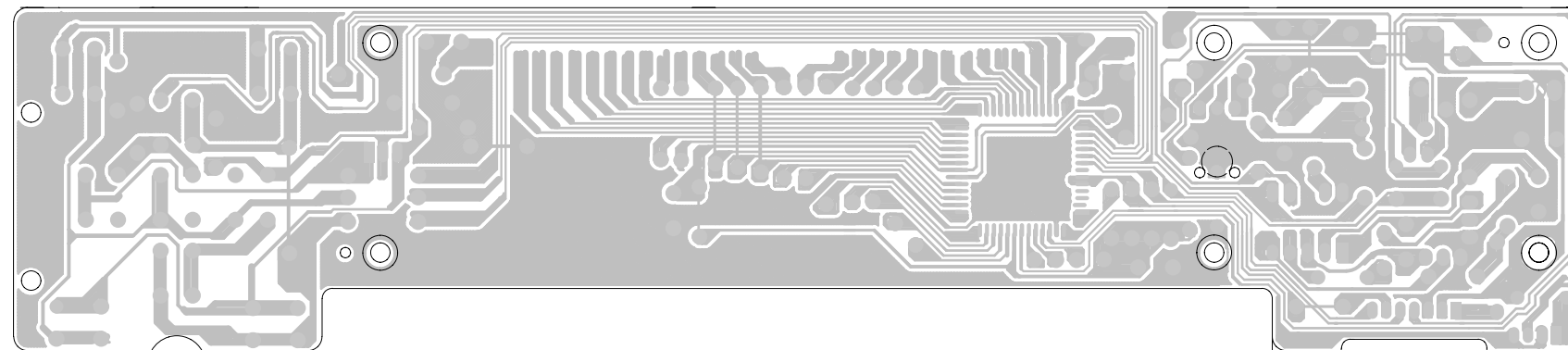
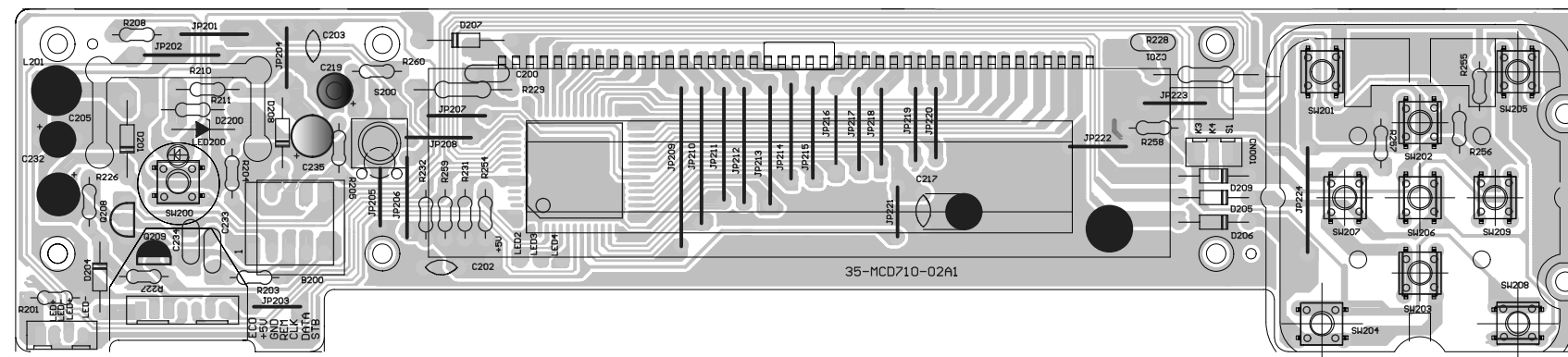
WIRING DIAGRAM



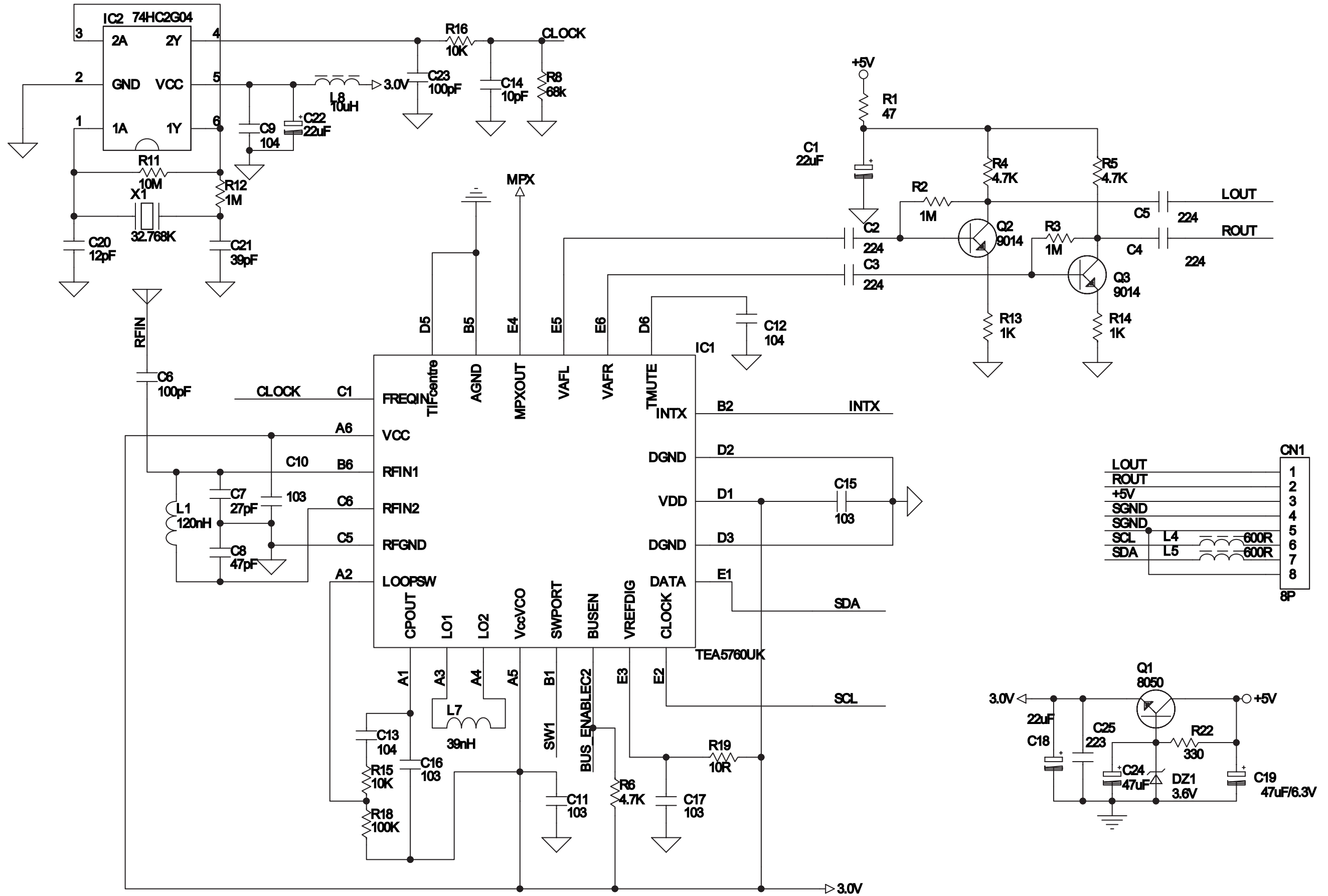
VFD BOARD - CIRCUIT DIAGRAM



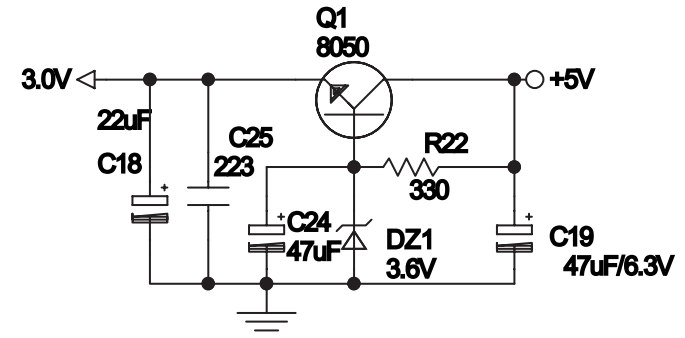
VFD BOARD - LAYOUT DIAGRAM



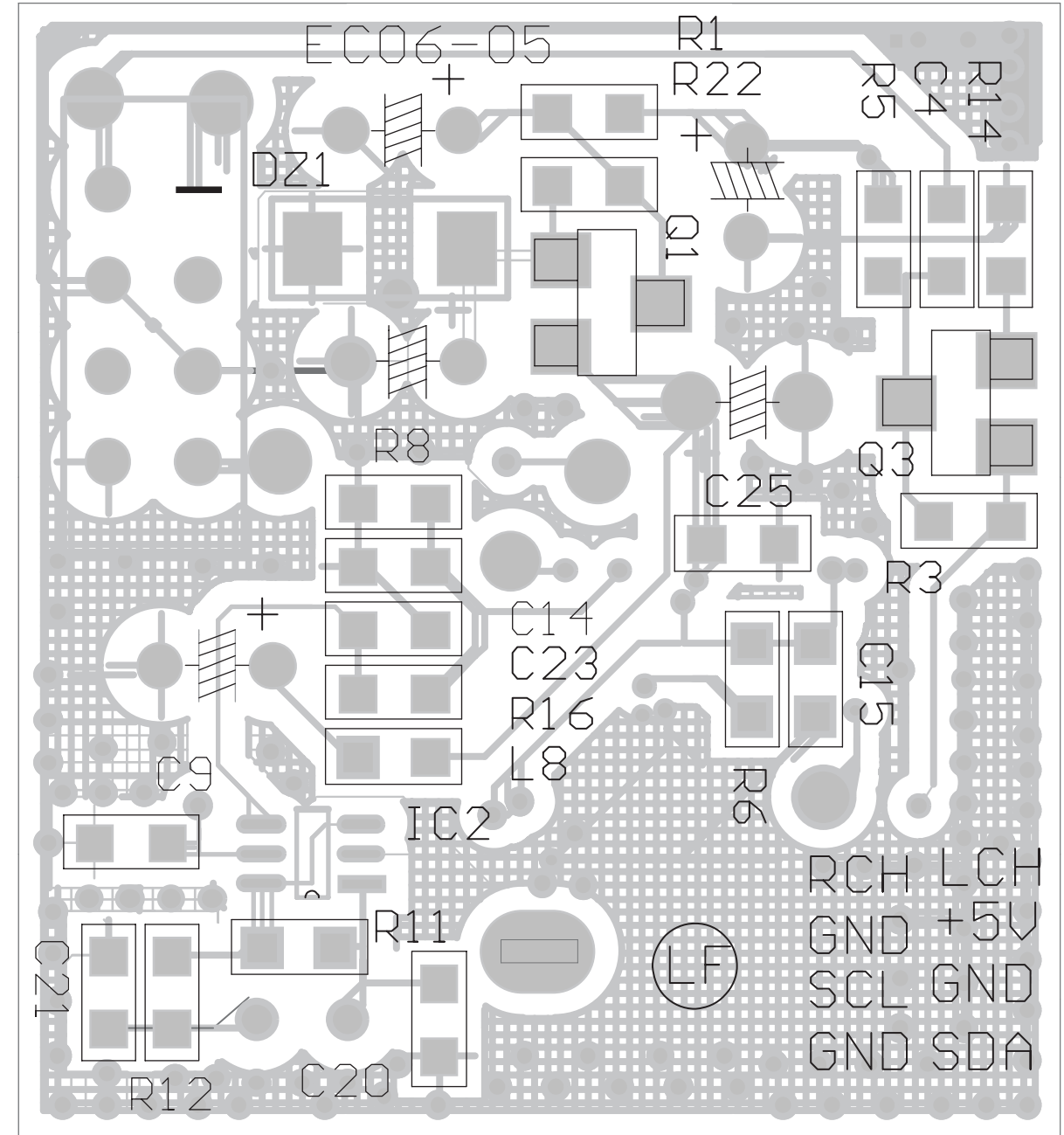
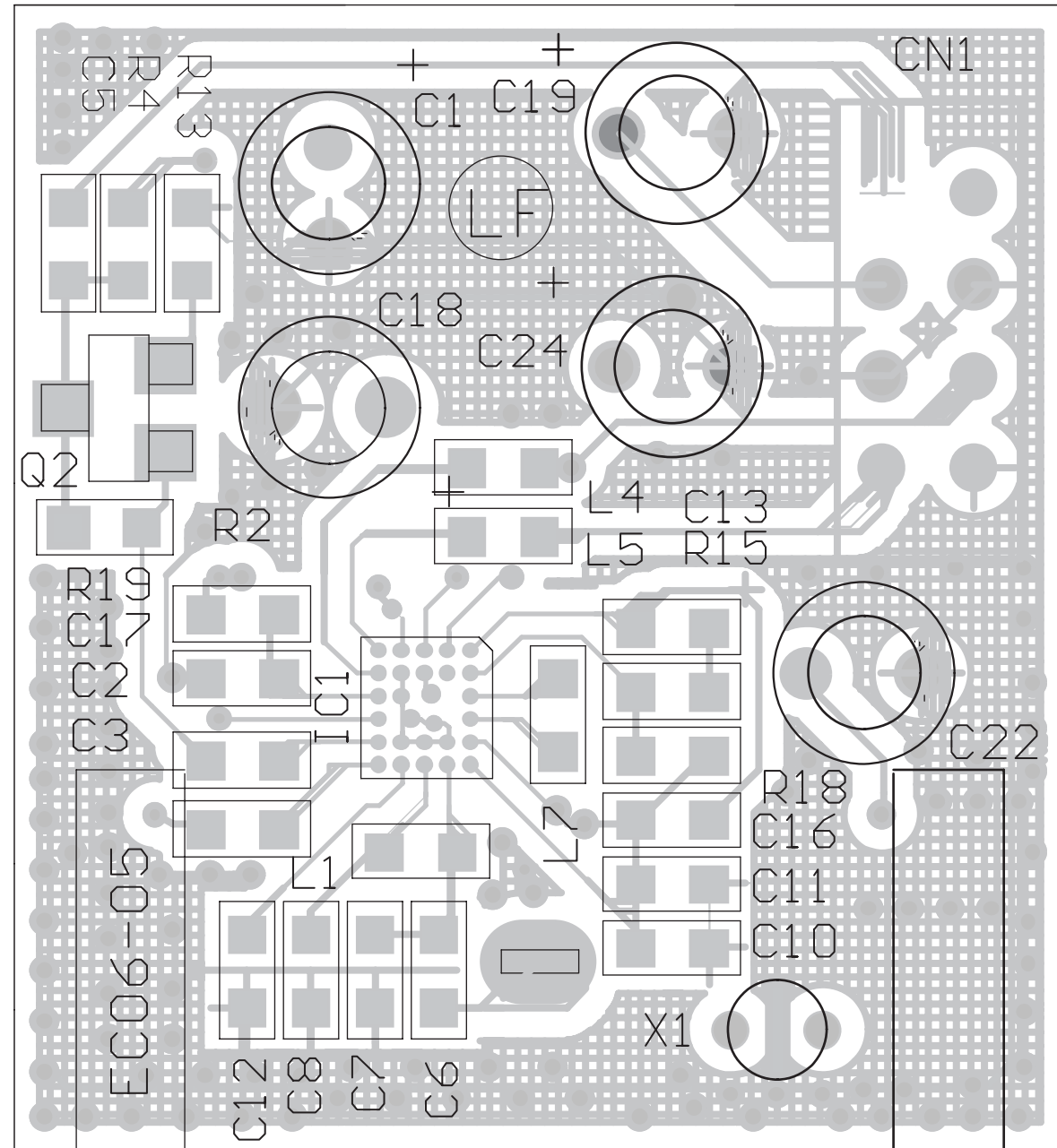
TUNER BOARD - CIRCUIT DIAGRAM



Pin	Signal
1	LOUT
2	ROUT
3	+5V
4	SGND
5	SGND
6	SCL
7	SDA
8	8P

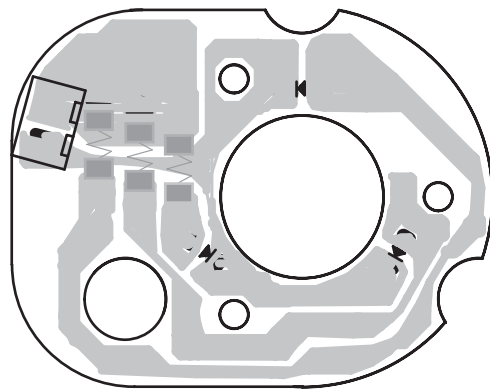
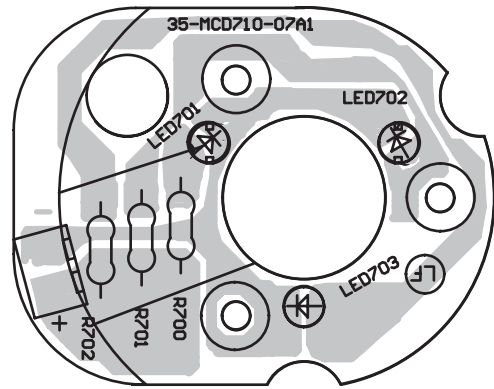
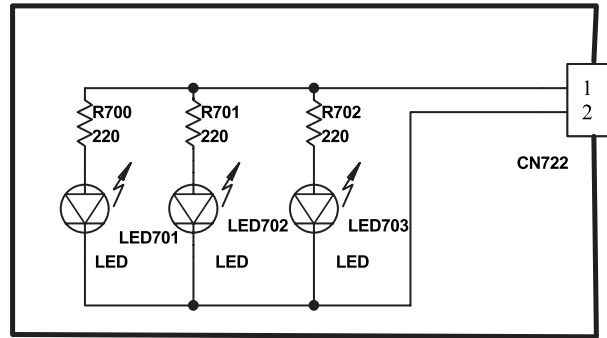


TUNER BOARD - LAYOUT DIAGRAM

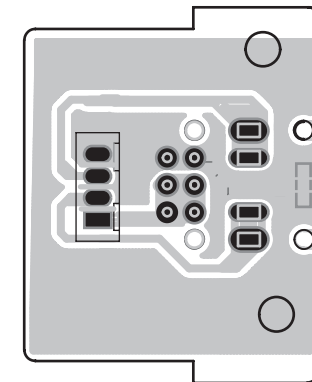
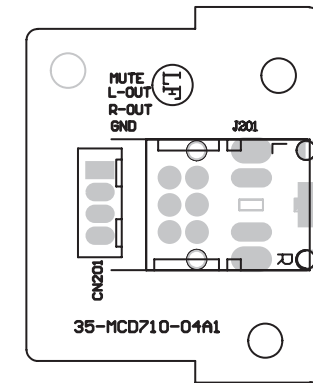
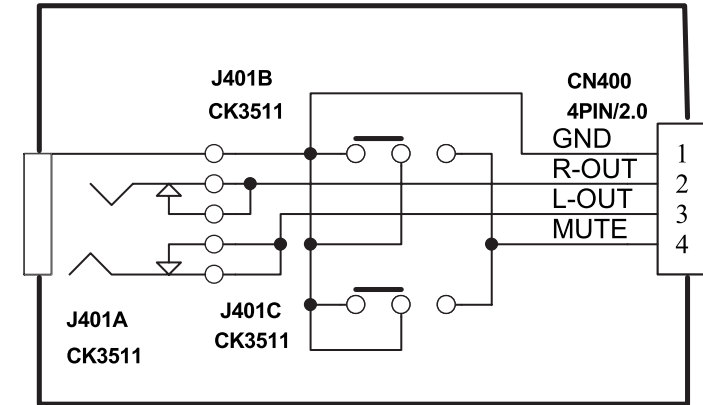


LAMP AND HEADPHONE BOARD

Lamp Block

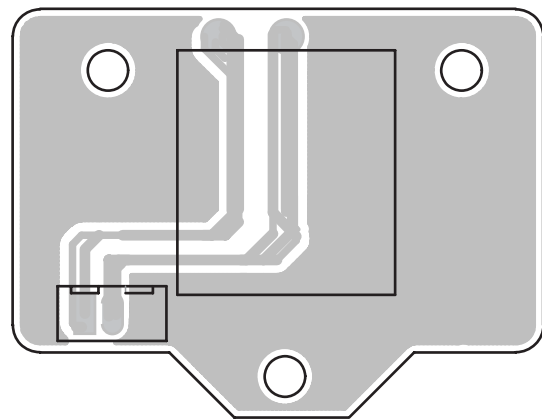
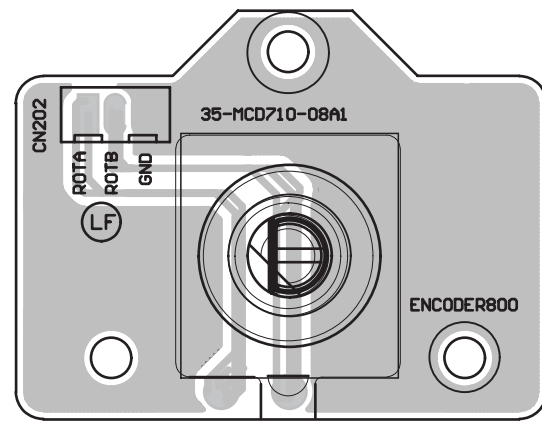
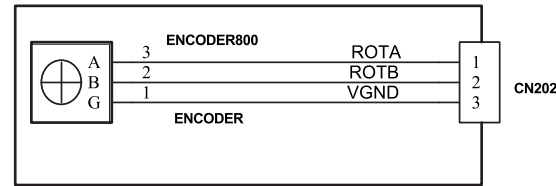


Headphone Block

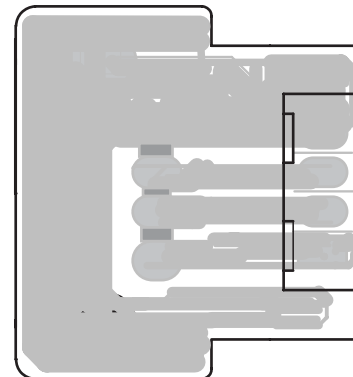
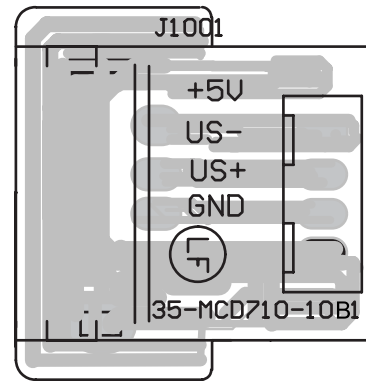
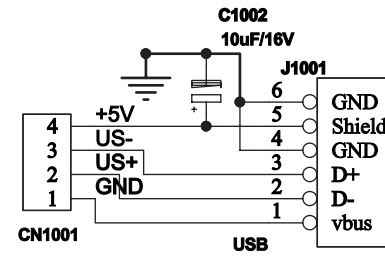


VOLUME AND USB AND USB LAMP BOARD

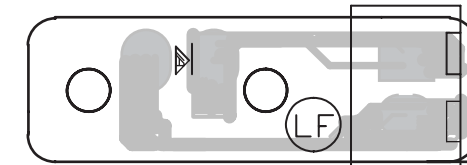
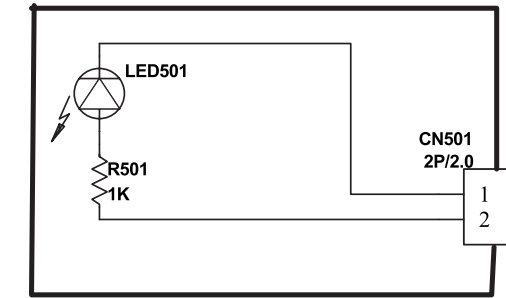
Volume Block



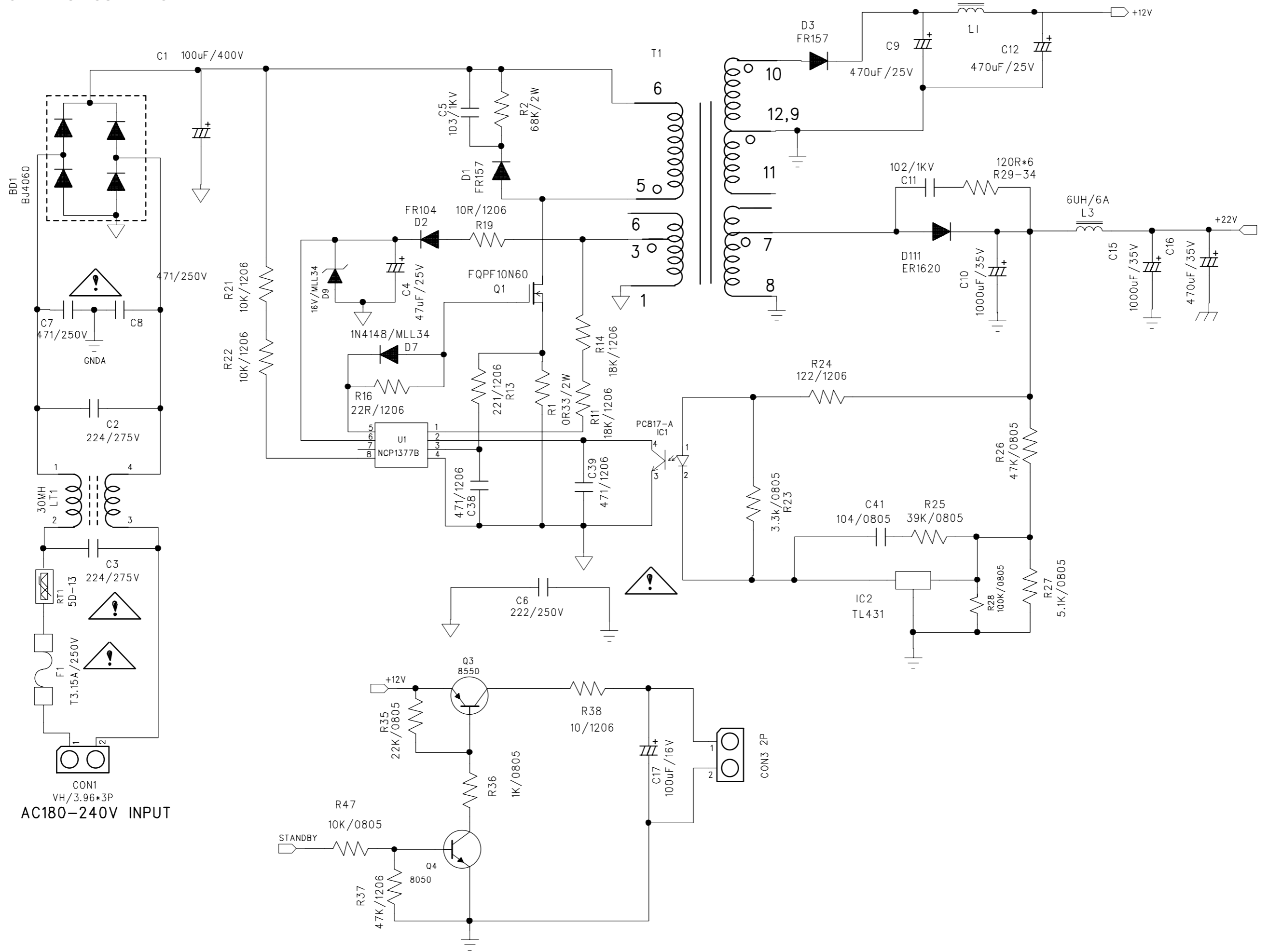
USB Block



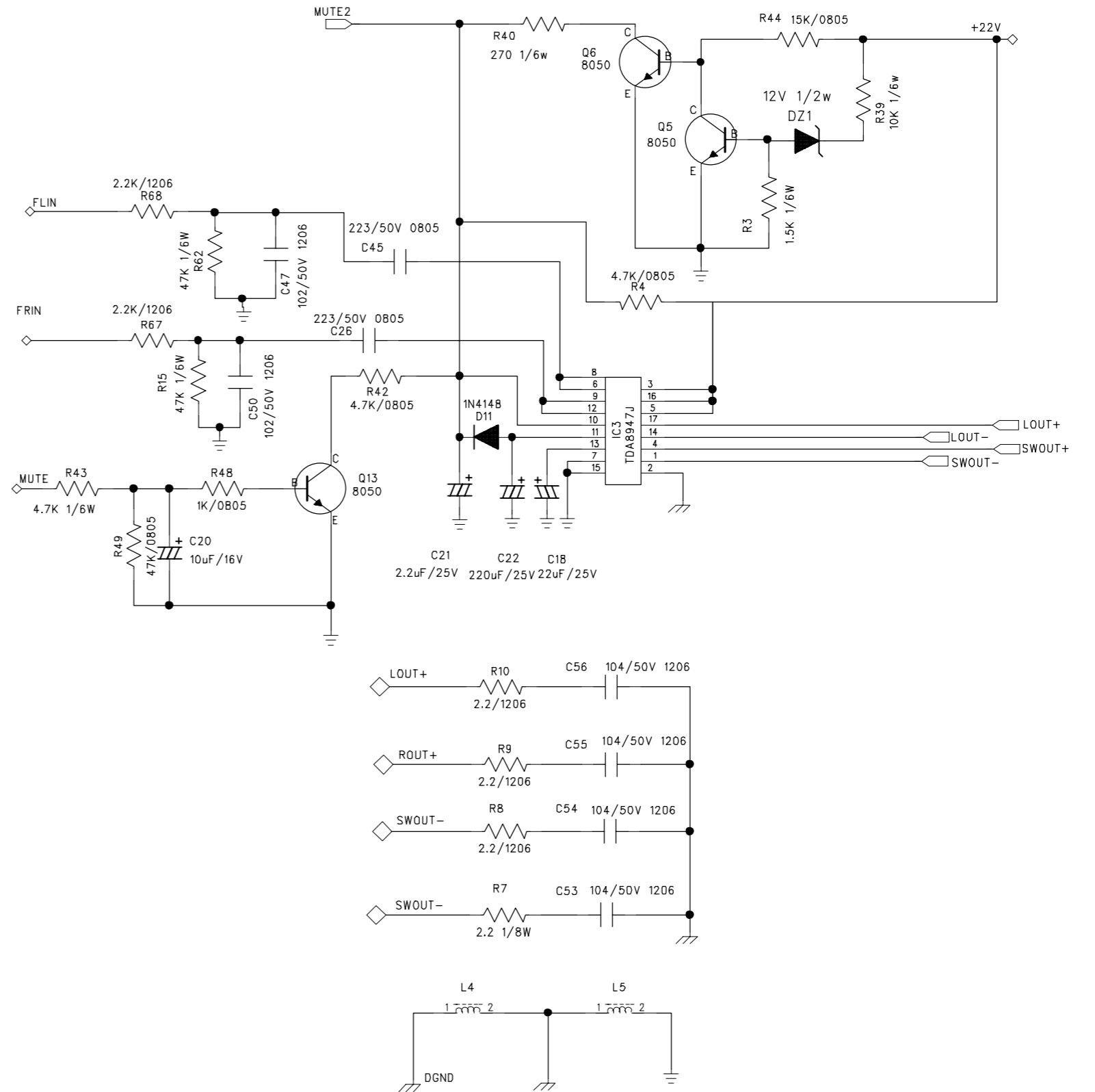
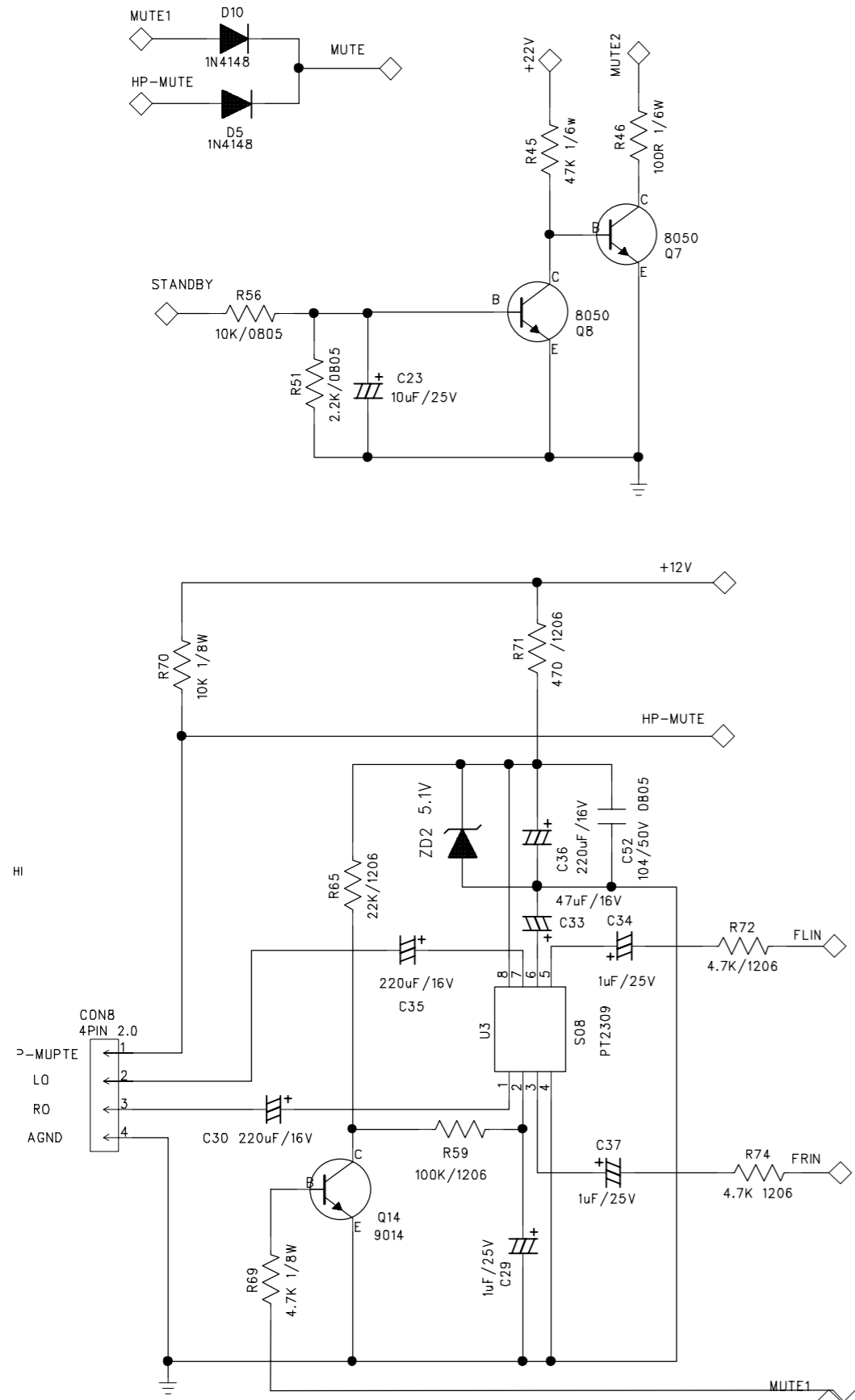
USB LAMP Block



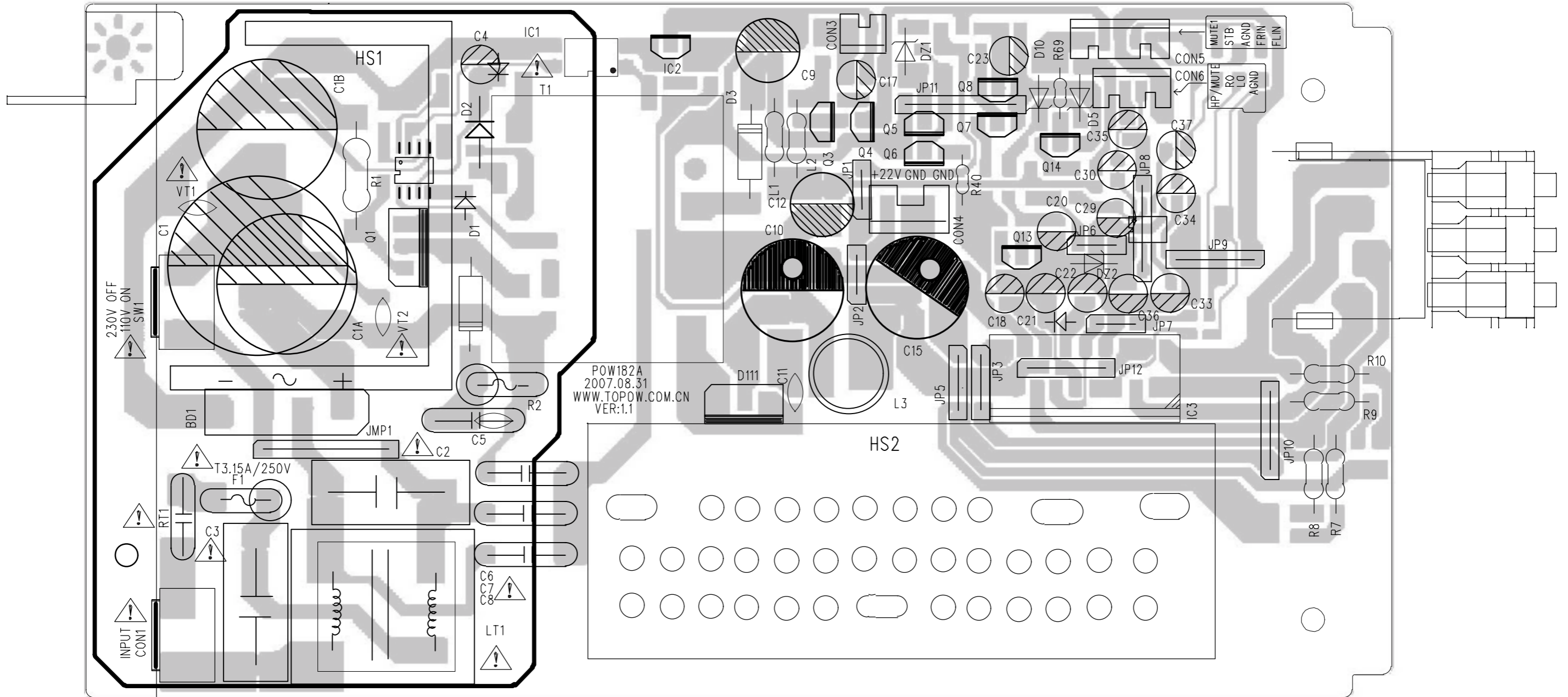
POWER BOARD - CIRCUIT DIAGRAM - PART1



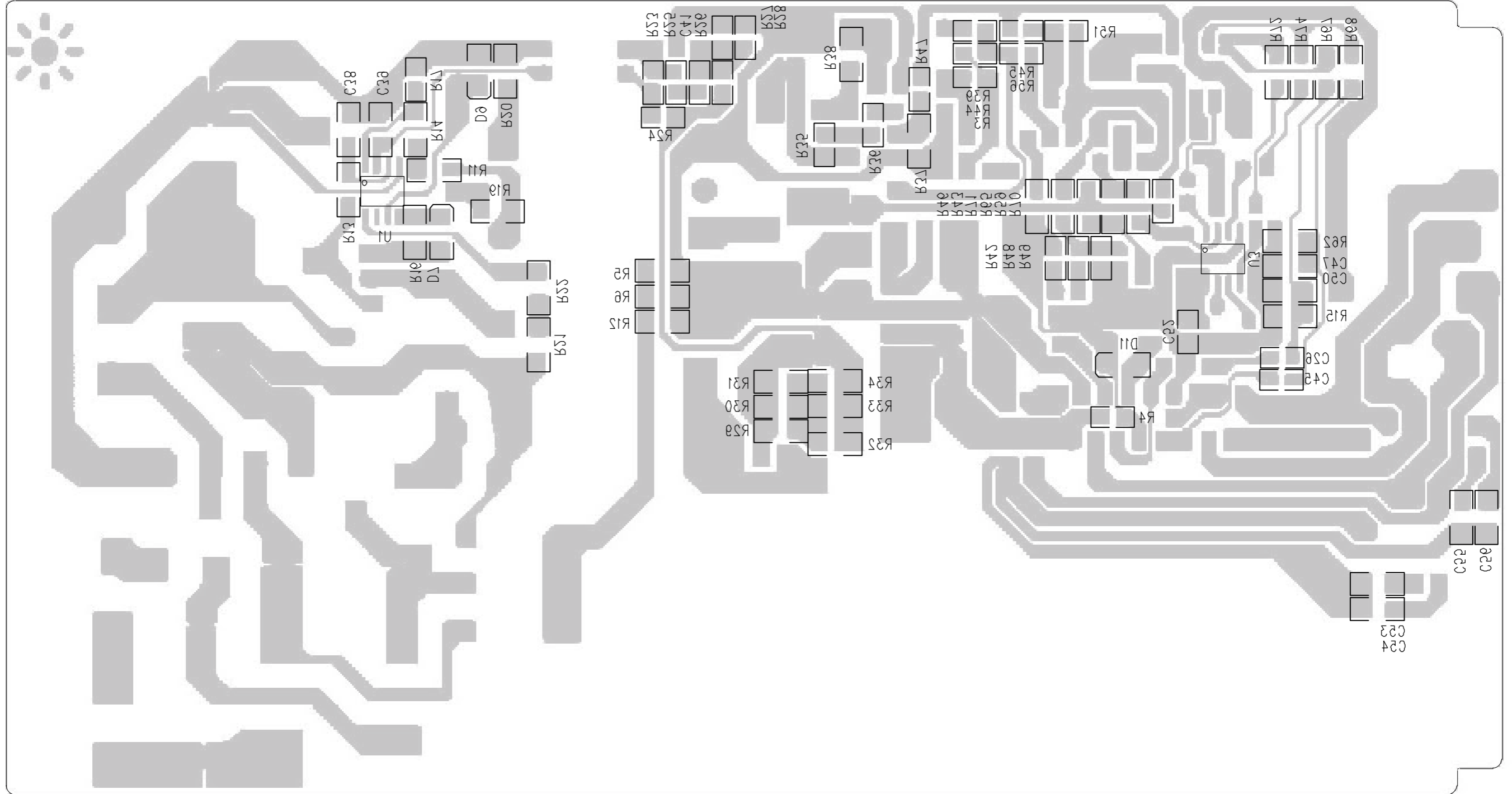
POWER BOARD - CIRCUIT DIAGRAM - PART2



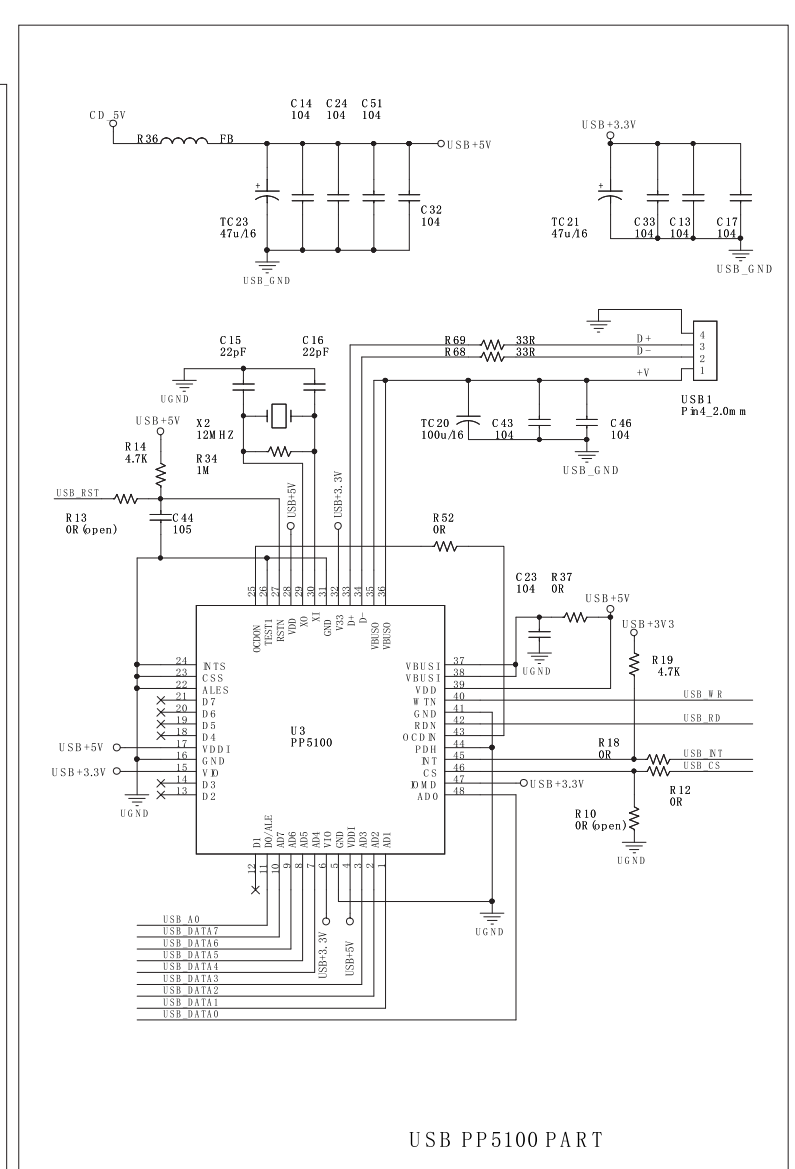
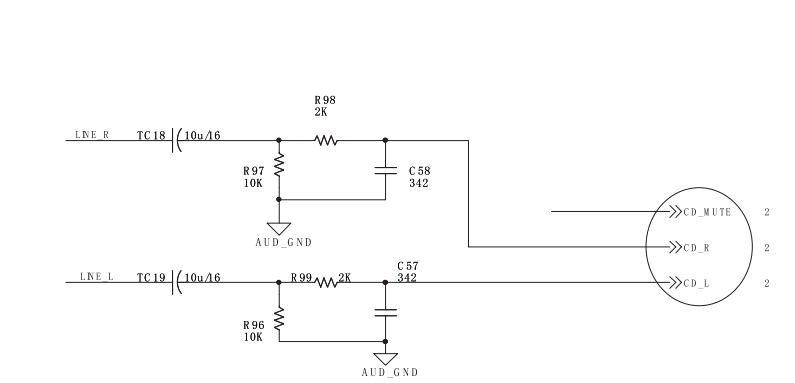
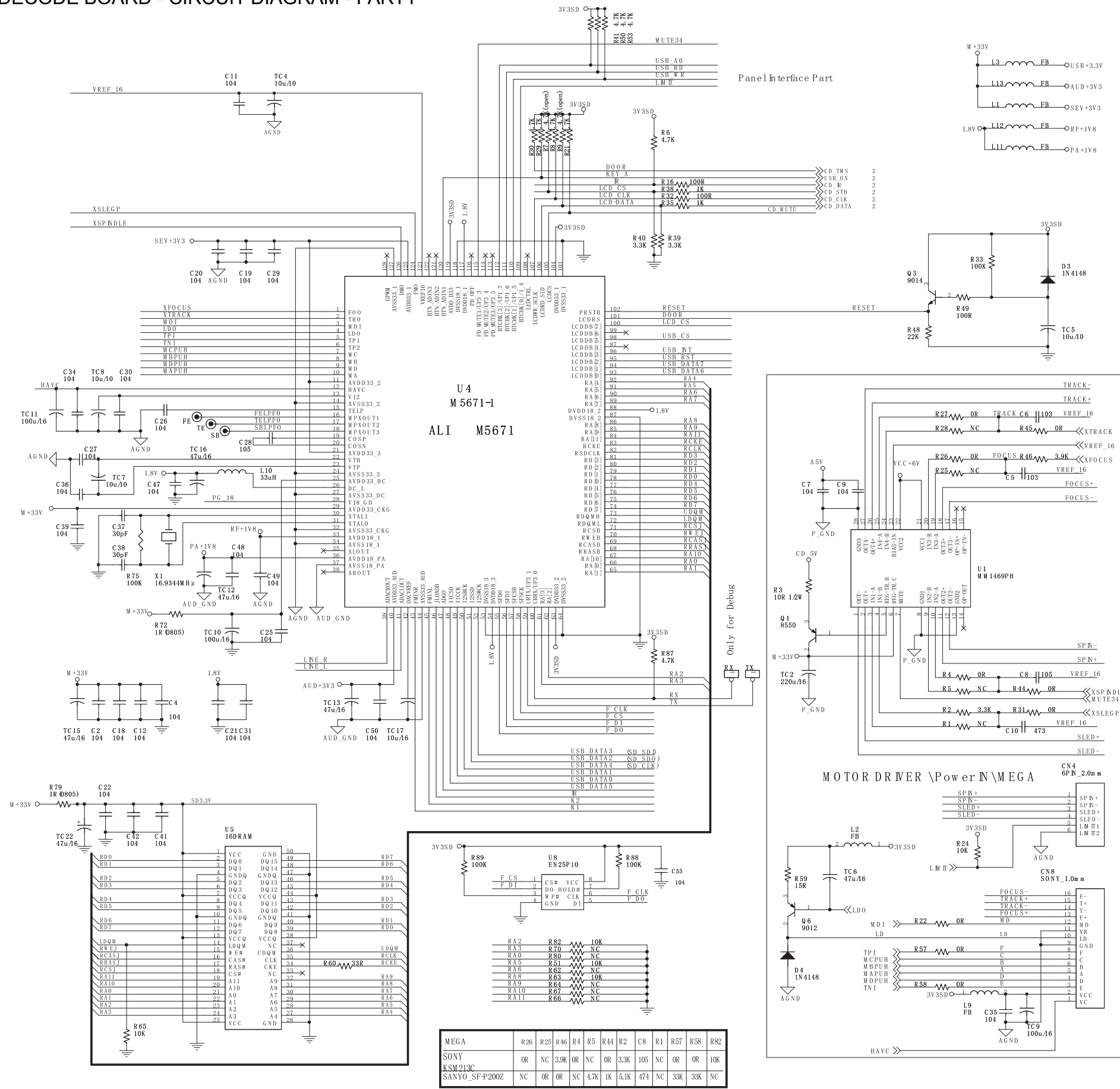
POWER BOARD - LAYOUT DIAGRAM - TOP VIEW



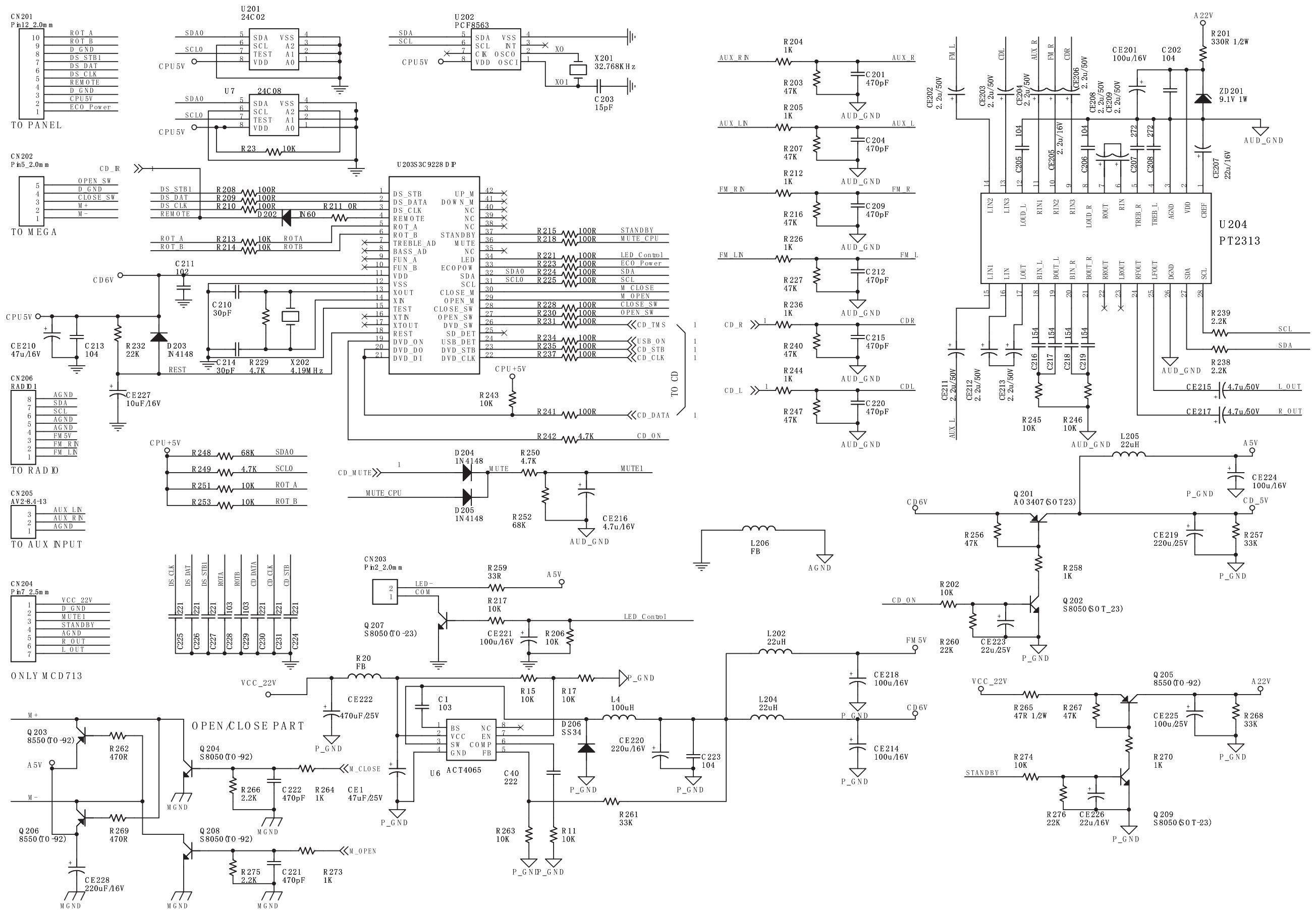
POWER BOARD - LAYOUT DIAGRAM - BOTTOM VIEW



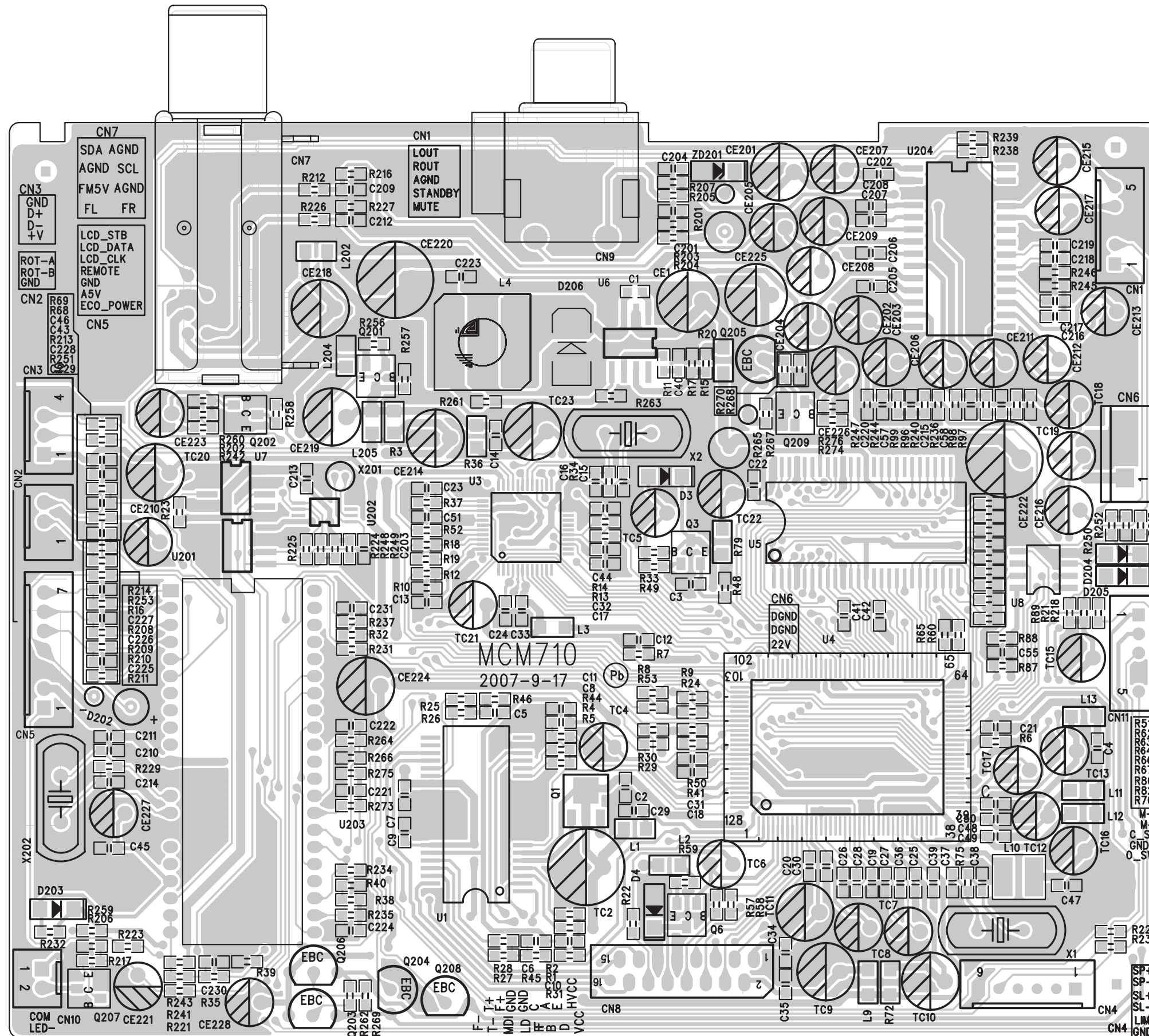
DECODE BOARD - CIRCUIT DIAGRAM - PART1



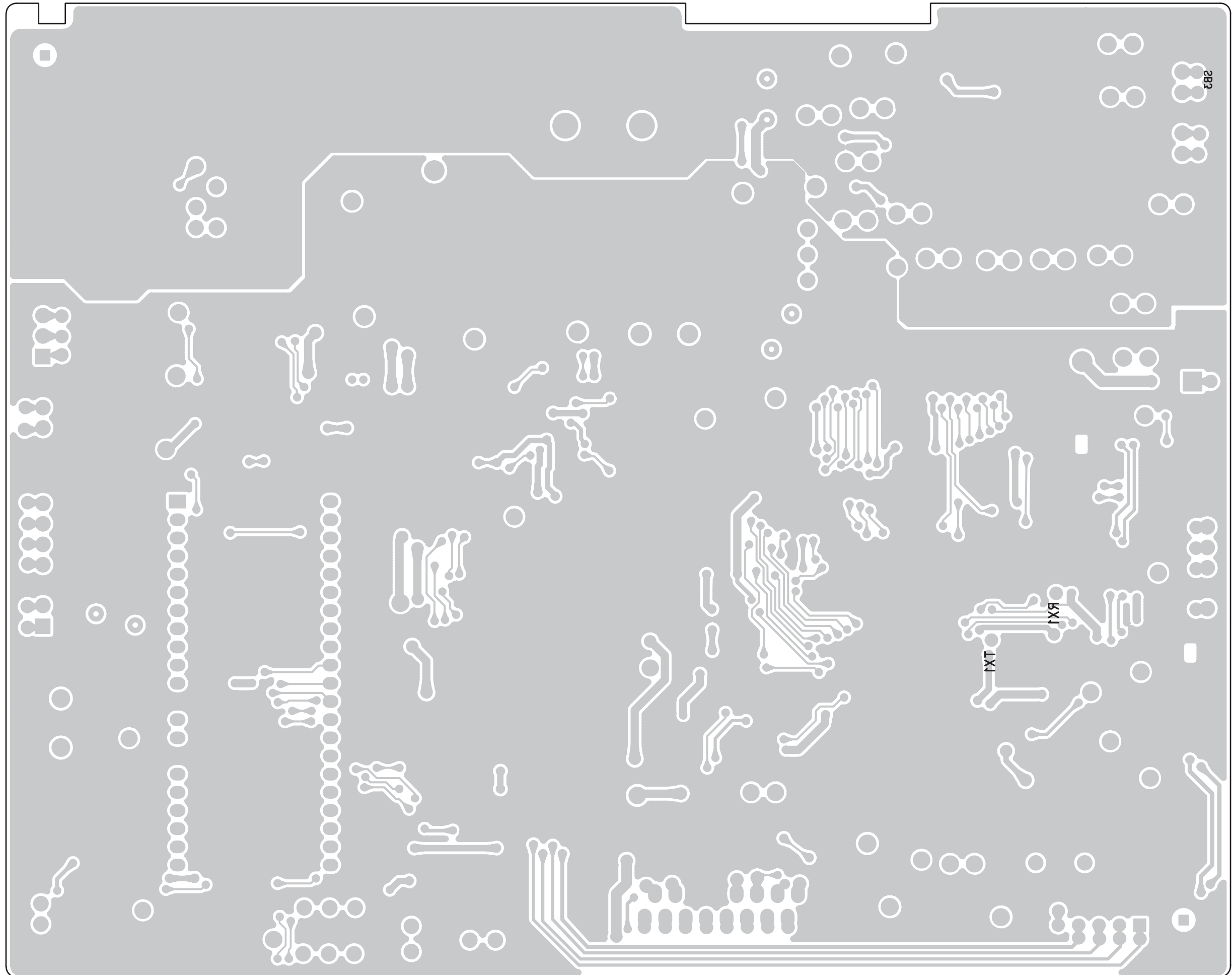
DECODE BOARD - CIRCUIT DIAGRAM - PART2



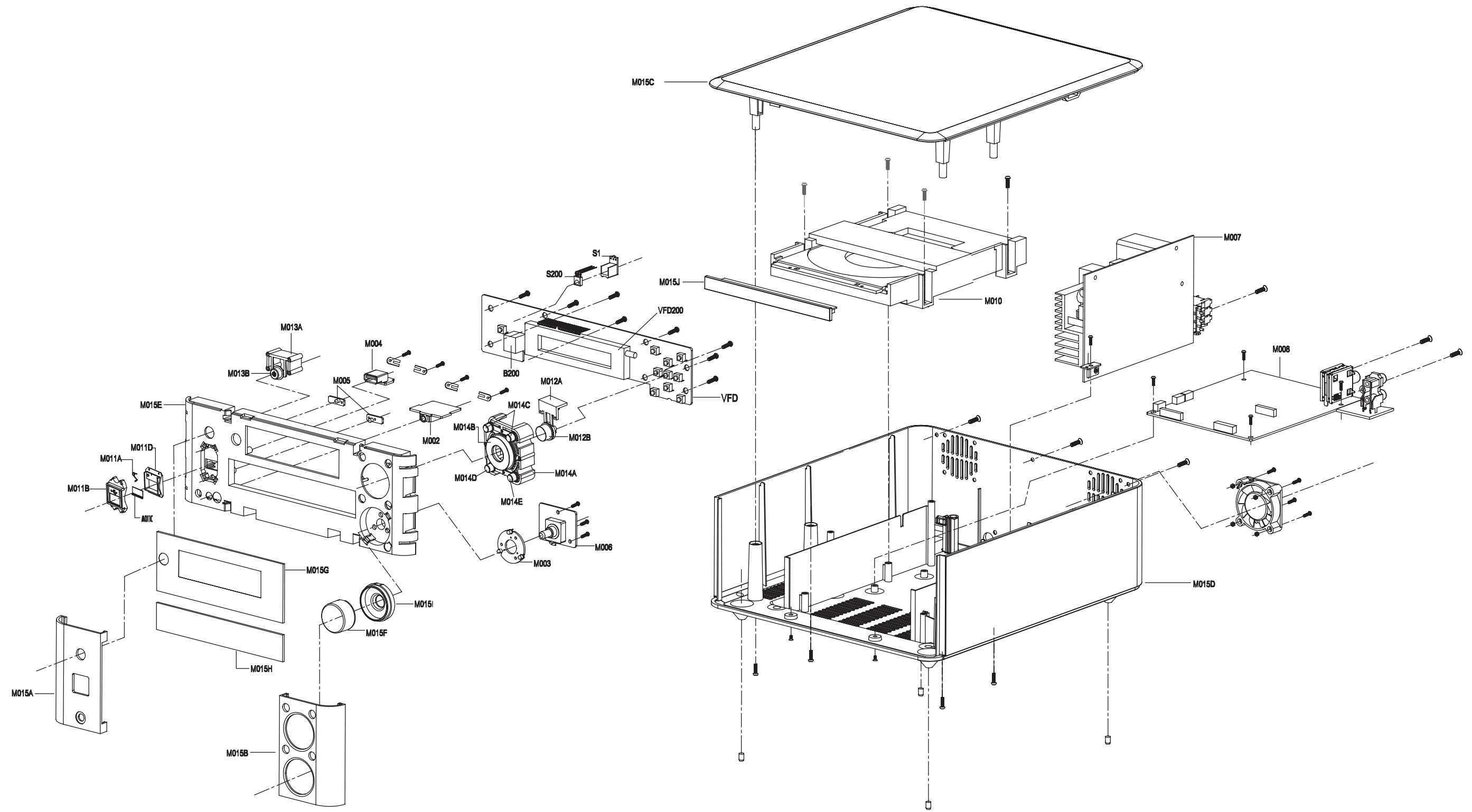
DECODE BOARD - LAYOUT DIAGRAM - TOP VIEW



DECODE BOARD - LAYOUT DIAGRAM - TOP VIEW



EXPLODE VIEW



ACCESSORIES PARTS LIST

REMOTE	996510003244	REMOTE CONTROL(/12)
REMOTE	996510015809	REMOTE CONTROL ASS'Y(/61)
SPEAKER1	996510010514	SPEAKER CASING PARTS ASSY(L)(/12)
SPEAKER1	996510015811	SPEAKER CASING PARTS ASSY(L)(/61)
SPEAKER2	996510010515	SPEAKER CASING PARTS ASSY®(/12)
SPEAKER2	996510015812	SPEAKER CASING PARTS ASS'Y®(/61)

MECHNICAL&MISCELLANEOUS PARTS

M001	996510010383	TUNER PCB ASSY(RDS)(/12)
M001	996510007819	TUNER BOARD PCB ASSY ECO6-05(/61)
M002	996510007820	HEADPHONE PCB ASSY MCD710
M003	996510007821	LAMP PCB ASSY MCD710
M004	996510010500	USB BOARD ASSY
M005	996510007823	USB LAMP PCB ASSY MCD710
M006	996510007824	VOLUME PCB ASSY MCD710
M007	996510010501	POWER BOARD ASSY(/12)
M007	996510013234	AMP/POWER BOARD ASSY(/61)
M008	996510036239	DECODER ASSY + MCU ASSY(/12)
M008	996510015798	DECODER ASS'Y(/61)
M010	996510027913	DA11VZSS CD LOADER MECHANISM
M011	996520032850	USB LIGHT GUIDE ASS'Y
D103A	996510010386	USB DOOR SPRING
D103B	996510010387	USB LIGHT GUIDE
D103C	996510010388	USB DOOR ABS
D103D	996510010389	USB DOOR BRACKET ABS
M012A	996510007829	MCD710 CENTER BUTTON BRACKET
M012B	996510007870	MCD710 KNOB
M013A	996510007831	MCD710 STANDBY BUTTON BRACKET
M013B	996510007832	MCD710 STANDBY BUTTON
M014A	996510007830	MCD710 BUTTON BRACKET
M014B	996510007869	MCD710 BEARING KNOB
M014C	996510007833	MCD710 FUNCTION -BUTTON
M014D	996510007836	MCD710 FUNTION-KNOB OPEN/CLOSE
M014E	996510007837	MCD710 FUNTION-BUTTON(STOP)
M015A	996510010505	AL FRONT-CAB(L)(/12)
M015A	996510015806	AL FRONT-CAB(L)(/61)
M015B	996510010506	AL FRONT-CAB(R)
M015C	996510007826	MCD710 CABINET FRONT HIPS BK(/12)
M015C	996510011821	MCD710 TOP COVER(/61)
M015D	996510010507	BOTTOM CAB. 2.0CH HIPS SILVER
M015E	996510010508	PLASTIC FRONT-PANEL(HIPS)
M015F	996510007871	MCD710 VOLUME KNOB
M015G	996510010509	BIG LENS PMMA
M015H	996510010510	SMALL LENS PMMA
M015I	996510010511	VOLUME KNOB LIGHT GUIDE(PMMA)
M015J	996510010512	DVD DOOR ABS
M015K	996510003237	AC LINE CORD 1.95M(/12)
M015K	996510015807	POWER CORD(/61)
M015L	996510010513	FLAT FLEXIBLE CABLE
M015M	996510004221	JACK VH3.96/3P
FAN	996510008413	MINI FAN RDM4010S DC12V/0.07A(/61)

ELECTRICAL PARTS - VFD BOARD

VFD	996510007817	VFD DISPLAY PCB ASSY MCD710(/61)
B200	996510002975	TRANSFORMER EE13 5V
D208	996510002976	DIODE FR104
DZ200	996510006505	ZENER DIODE 6.2V 1W
IC203	996510000500	IC PT6311/SC16311/CD16311
LED200	994000004948	LED LAMP(BLUE) /12
S1	996510010498	IR SENSOR BRACKET ABS
S200	994000004961	IR SENSOR BLACK
SW200	996510000020	LIGHT TOUCH SW.
SW201	996510000020	LIGHT TOUCH SW.
SW202	996510000263	LIGHT TOUCH SWITCH 6X6X5
SW203	996510000263	LIGHT TOUCH SWITCH 6X6X5
SW204	996510000020	LIGHT TOUCH SW.
SW205	996510000020	LIGHT TOUCH SW.
SW206	996510000263	LIGHT TOUCH SWITCH 6X6X5
SW207	996510000263	LIGHT TOUCH SWITCH 6X6X5
SW208	996510000020	LIGHT TOUCH SW.
SW209	996510000263	LIGHT TOUCH SWITCH 6X6X5
VFD200	996510002921	VFD DISPLAY NE-705D-3.GB

Note: Only these parts mentioned in the list are normal service parts.

FACTORY PARTLIST

LOCATION	DESCRIPTION
VFD	ELECTRICAL PARTS LIST-VFD DISPLAY BOARD
B200	△TRANSFORMER EE13 5V
R204	CARBON FILM RESISTOR 100 1/8W J-52
R205	CARBON FILM RESISTOR 100 1/8W J-52
R226	CARBON FILM RESISTOR 1K 1/8W J-52
R227	CARBON FILM RESISTOR 1K 1/8W J-52
R211	CARBON FILM RESISTOR 10K 1/8W J-52
R231	CARBON FILM RESISTOR 10K 1/8W J-52
R232	CARBON FILM RESISTOR 10K 1/8W J-52
R255	CARBON FILM RESISTOR 33K 1/8W J-52
R256	CARBON FILM RESISTOR 33K 1/8W J-52
R257	CARBON FILM RESISTOR 33K 1/8W J-52
R258	CARBON FILM RESISTOR 33K 1/8W J-52
R260	CARBON FILM RESISTOR 47 1/8W J-52
R259	CARBON FILM RESISTOR 4.7K 1/8W J-52
R208	CARBON FILM RESISTOR 4.7K 1/8W J-52
R229	CARBON FILM RESISTOR 0.5 1/4W J-52
R203	CARBON FILM RESISTOR 10 1/8W J-52
R210	CARBON FILM RESISTOR 15 1/4W J-52
R254	CARBON FILM RESISTOR 47K 1/8W J-52
R228	CARBON FILM RESISTOR 2.2 1/2W J-52
R201	CARBON FILM RESISTOR 220 1/8W J-52
R202	CARBON FILM RESISTOR 220 1/8W J-52
C234	NONINDUCTIVE CAP.473P 100V K-5
C205	ELECTROLYTIC CAP.47u 16V L-5 5X7
C219	ELECTROLYTIC CAP.47u 16V L-5 5X7
COMBINE WITH 232	CERAMIC CAP. 100p 50V K
C203	CERAMIC CAP. 104P 50V K-5
C217	CERAMIC CAP. 104P 50V K-5
C233	CERAMIC CAP. 104P 50V K-5
C202	CERAMIC CAP. 104P 50V K-5
C232	ELECTROLYTIC CAP.470u 16V L-5 8X11.5/12
C235	ELECTROLYTIC CAP. 100u 35V L-5 6.3X11
L201	FIXED INDUCTOR 200U 6X5
D204	DIODE 4148-52
D205	DIODE 4148-52
D206	DIODE 4148-52
D207	DIODE 4148-52
D209	DIODE 4148-52
DZ200	ZENER DIODE 6.2V 1W
D201	RECTIFIER DIODE 4001-52
D208	DIODE FR104
LED200	LED 3R4CB71D-2B-208 (BLUE)
Q208	TRANSISTOR 8050C-5
Q209	TRANSISTOR 8050C-5
IC203	IC PT6311/SC16311/CD16311
S200	IR SENSOR SMALL BLACK
SW200	LIGHT TOUCH SWITCH 6X6X5 130g
SW201	LIGHT TOUCH SWITCH 6X6X5 130g
SW204	LIGHT TOUCH SWITCH 6X6X5 130g
SW205	LIGHT TOUCH SWITCH 6X6X5 130g
SW208	LIGHT TOUCH SWITCH 6X6X5 130g
SW202	LIGHT TOUCH SWITCH 6X6X5 250g
SW203	LIGHT TOUCH SWITCH 6X6X5 250g
SW2206	LIGHT TOUCH SWITCH 6X6X5 250g

FACTORY PARTLIST

LOCATION	DESCRIPTION
VFD	ELECTRICAL PARTS LIST-VFD DISPLAY BOARD
B200	△TRANSFORMER EE13 5V
R204	CARBON FILM RESISTOR 100 1/8W J-52
R205	CARBON FILM RESISTOR 100 1/8W J-52
R226	CARBON FILM RESISTOR 1K 1/8W J-52
R227	CARBON FILM RESISTOR 1K 1/8W J-52
R211	CARBON FILM RESISTOR 10K 1/8W J-52
R231	CARBON FILM RESISTOR 10K 1/8W J-52
R232	CARBON FILM RESISTOR 10K 1/8W J-52
R255	CARBON FILM RESISTOR 33K 1/8W J-52
R256	CARBON FILM RESISTOR 33K 1/8W J-52
R257	CARBON FILM RESISTOR 33K 1/8W J-52
R258	CARBON FILM RESISTOR 33K 1/8W J-52
R260	CARBON FILM RESISTOR 47 1/8W J-52
R259	CARBON FILM RESISTOR 4.7K 1/8W J-52
R208	CARBON FILM RESISTOR 4.7K 1/8W J-52
R229	CARBON FILM RESISTOR 0.5 1/4W J-52
R203	CARBON FILM RESISTOR 10 1/8W J-52
R210	CARBON FILM RESISTOR 15 1/4W J-52
R254	CARBON FILM RESISTOR 47K 1/8W J-52
R228	CARBON FILM RESISTOR 2.2 1/2W J-52
R201	CARBON FILM RESISTOR 220 1/8W J-52
R202	CARBON FILM RESISTOR 220 1/8W J-52
C234	NONINDUCTIVE CAP.473P 100V K-5
C205	ELECTROLYTIC CAP.47u 16V L-5 5X7
C219	ELECTROLYTIC CAP.47u 16V L-5 5X7
COMBINE WITH 232	CERAMIC CAP. 100p 50V K
C203	CERAMIC CAP. 104P 50V K-5
C217	CERAMIC CAP. 104P 50V K-5
C233	CERAMIC CAP. 104P 50V K-5
C202	CERAMIC CAP. 104P 50V K-5
C232	ELECTROLYTIC CAP.470u 16V L-5 8X11.5/12
C235	ELECTROLYTIC CAP. 100u 35V L-5 6.3X11
L201	FIXED INDUCTOR 200U 6X5
D204	DIODE 4148-52
D205	DIODE 4148-52
D206	DIODE 4148-52
D207	DIODE 4148-52
D209	DIODE 4148-52
DZ200	ZENER DIODE 6.2V 1W
D201	RECTIFIER DIODE 4001-52
D208	DIODE FR104
LED200	LED 3R4CB71D-2B-208 (BLUE)
Q208	TRANSISTOR 8050C-5
Q209	TRANSISTOR 8050C-5
IC203	IC PT6311/SC16311/CD16311
S200	IR SENSOR SMALL BLACK
SW200	LIGHT TOUCH SWITCH 6X6X5 130g
SW201	LIGHT TOUCH SWITCH 6X6X5 130g
SW204	LIGHT TOUCH SWITCH 6X6X5 130g
SW205	LIGHT TOUCH SWITCH 6X6X5 130g
SW208	LIGHT TOUCH SWITCH 6X6X5 130g
SW202	LIGHT TOUCH SWITCH 6X6X5 250g
SW203	LIGHT TOUCH SWITCH 6X6X5 250g
SW2206	LIGHT TOUCH SWITCH 6X6X5 250g

FACTORY PARTLIST

SW207	LIGHT TOUCH SWITCH 6X6X5 250g
SW209	LIGHT TOUCH SWITCH 6X6X5 250g
VFD200	VFD DISPLAY NE-705D-3.GB
B200	MCD710 IR SENSOR BRACKET ABS
M001	ELECTRICAL PARTS LIST-TUNER BOARD(RDS)
R18	CHIP RESISTOR 100K 1/16W J(0603)
R151	CHIP RESISTOR 10K 1/16W J(0603)
R16	CHIP RESISTOR 10K 1/16W J(0603)
R8	CHIP RESISTOR 10K 1/16W J(0603)
R19	CHIP RESISTOR 10 1/16W J(0603)
R2	CHIP RESISTOR 1M 1/16W J(0603)
R3	CHIP RESISTOR 1M 1/16W J(0603)
R12	CHIP RESISTOR 1M 1/16W J(0603)
R4	CHIP RESISTOR 4.7K 1/16W J(0603)
R5	CHIP RESISTOR 4.7K 1/16W J(0603)
R6	CHIP RESISTOR 4.7K 1/16W J(0603)
R1	CHIP RESISTOR 47 1/16W J(0603)
R11	CHIP RESISTOR 10M 1/16W J (0603)
R13	CHIP RESISTOR 820 1/16W J(0603)
R14	CHIP RESISTOR 820 1/16W J(0603)
C14	CHIP CAP.10P 50V J (0603) NPO
R22	CHIP RESISTOR 330 1/16W J(0603)
C20	CHIP CAP.12P 50V J(0603)NPO
C25	CHIP CAP.223P 50V M (0603) Y5V
C21	CHIP CAP.39P 50V J (0603) NPO
C8	CHIP CAP.47P 50V J(0603)NPO
C1	TANTALUM CAP. 22uF/6.3V (A) (3216)
C18	TANTALUM CAP. 22uF/6.3V (A) (3216)
C19	TANTALUM CAP. 22uF/6.3V (A) (3216)
C22	TANTALUM CAP. 22uF/6.3V (A) (3216)
C24	TANTALUM CAP. 22uF/6.3V (A) (3216)
C2	CHIP CAP.224P 50V M (0603) Y5V
C3	CHIP CAP.224P 50V M (0603) Y5V
C4	CHIP CAP.224P 50V M (0603) Y5V
C5	CHIP CAP.224P 50V M (0603) Y5V
C7	CHIP CAP.27P 50V J(0603) NPO
C6	CHIP CAP.100P 50V K (0603) X7R
C23	CHIP CAP.100P 50V K (0603) X7R
C10	CHIP CAP.103P 50V K (0603) X7R
C11	CHIP CAP.103P 50V K (0603) X7R
C15	CHIP CAP.103P 50V K (0603) X7R
C16	CHIP CAP.103P 50V K (0603) X7R
C17	CHIP CAP.103P 50V K (0603) X7R
C13	CHIP CAP.104P 50V M (0603) Y5V
C12	CHIP CAP.104P 50V M (0603) Y5V
C9	CHIP CAP.104P 50V M (0603) Y5V
L1	CHIP INDUCTOR 120n (0603)
L7	CHIP INDUCTOR 39n J (0603)
L8	CHIP INDUCTOR 10U (0603)
DZ1	CHIP ZENER DIODE 3.6V 1/2W (LL-34)
Q2	CHIP TRANSISTOR 9014 (SOT-23)
Q3	CHIP TRANSISTOR 9014 (SOT-23)
Q1	CHIP TRANSISTOR 8050(SOT-23)
IC2	IC 74HC2G04
IC1	IC TEA5766UK

FACTORY PARTLIST

X1	CRYSTAL OSCILLATOR 32.768KHZ ϕ 2X6
L4	FERRITE BEAD 601 K (0603)
L5	FERRITE BEAD 601 K (0603)
CN1	PINS CONNECTOR 2.0X2X4P H8
M001	METAL BOX F-8A 28X26X13 NICKEL-PLATE
M002	ELECTRICAL PARTS LIST-HEADPHONE BOARD
JACK FOOT	AXIAL FIXED INDUCTOR 100u
J201	HEADPHONE JACK ϕ 3.5 TE-03501S-11
M003	ELECTRICAL PARTS LIST-LAMP BOARD
R700	CARBON FILM RESISTOR 220 1/8W J-52
R701	CARBON FILM RESISTOR 220 1/8W J-52
R702	CARBON FILM RESISTOR 220 1/8W J-52
LED701	LED ϕ 3 H3.6(BLUE-LIGHT)
LED702	LED ϕ 3 H3.6(BLUE-LIGHT)
LED703	LED ϕ 3 H3.6(BLUE-LIGHT)
M004	ELECTRICAL PARTS LIST-USB BOARD
J1001	USB A-TYPE 4 P FEMALE 90°DIP TYPE BLACK
M005	ELECTRICAL PARTS LIST-USB LAMP BOARD
LED501	LED ϕ 3 H3.6(BLUE-LIGHT)
M006	ELECTRICAL PARTS LIST-VOLUME BOARD
ENCODER800	CODER ED-1612-00-F15 40-80G
M007	ELECTRICAL PARTS LIST-POWER BOARD(POW182A)
M008	ELECTRICAL PARTS LIST-MP3 DECODER(M5671U-710)
M010	MECHANICAL PARTS LIST-CD MECHANISM(DA11VZ)
M011	MECHANICAL PARTS LIST-USB LIGHT GUIDE
M011A	MCD716 USB DOOR SPRING
M011B	MCD716 USB LIGHT GUIDE(PMMA SILK-SCREEN)
M011C	MCD716 USB DOOR ABS
M011D	MCD716 USB DOOR BRACKET ABS
M012	MECHANICAL PARTS LIST-CENTER BUTTON
M012A	MCD710 CENTER BUTTON BRACKET ABS
M012B	MCD710 CENTER BUTTON (ABS PLATE)
M013	MECHANICAL PARTS LIST-STANDBY BUTTON
M013A	MCD710 STANDBY BUTTON BRACKET ABS
M013B	MCD710 STANDBY BUTTON ABS
M014	MECHANICAL PARTS LIST-FUNCTION BUTTON
M014A	MCD710 BUTTON BRACKET ABS
M014B	MCD710 DIRECTION BUTTON ABS
M014C	MCD710 FUNCTION -BUTTON ABS
M014D	MCD710 FUNCTION-BUTTON(OPEN/CLOSE) ABS
M014E	MCD710 FUNCTION-BUTTON(STOP) ABS
M015	MECHANICAL PARTS LIST-CASING PARTS
M015A	MCD710 AL FRONT-CAB(L)

FACTORY PARTLIST

M015B	MCD710 AL FRONT-CAB(R)
PRESS PLATE	MCD988 USB PCB PRESS PLATE
M015C	MCD710 TOP COVER(HIPS BLACK)
M015D	MCD710 BOTTOM CAB. 2.0CH HIPS SILVER
M015E	MCD710 PLASTIC FRONT-PANEL(HIPS)
M015F	MCD710 VOLUME KNOB (ABS PLATE)
M015G	MCM710 BIG LENS PMMA
M015H	MCM710 SMALL LENS PMMA
M015I	MCD710 VOLUME KNOB LIGHT GUIDE(PMMA)
M015J	MCD908 DVD DOOR ABS PA718 FOR MCM710
FAN	MINI FAN RDM4010S DC12V/0.07A
FOOT	MCD705 RUBBER-FOOT Φ 4X6
POWER CORD	Δ POWER CORD 1.95M VH3.96 VDE
JACK	JACK VH3.96/3P

ACCESSORY PARTS LIST

1	SPEAKER BOX PARTS
2	REMOTER CONTROL